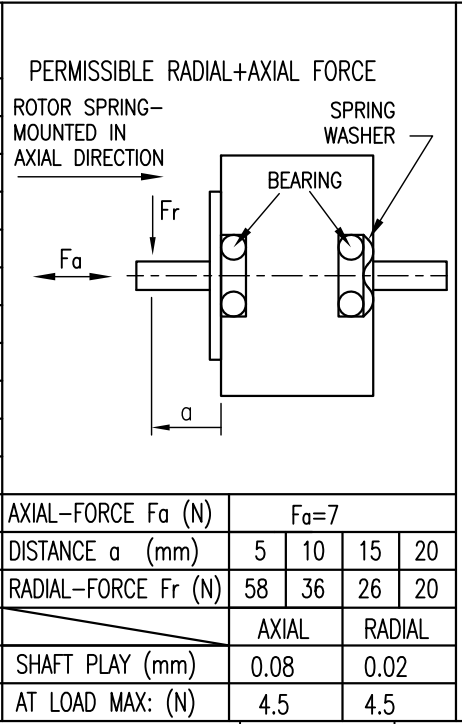


SPECIFICATION	
VOLTAGE (VDC)	3.15
AMPS/PHASE	1.8
RESISTANCE/PHASE (Ohms)@25°C	1.75±15%
INDUCTANCE/PHASE (mH) @1KHz	3.3±20%
SPINDLE PITCH (mm) [in]	5 [0.197]
TRUST (N) (lb)	220 [49.46]
RESOLUTION (mm/STEP)	0.025
STATIC TRUST (NO CURRENT)	
MAX. SPEED (mm/sec.)	200
MAX. SPEED WITH MAX. TRUST (mm/sec.)	20
WEIGHT (Kg) [lb]	0.34 [0.75]
TEMPERATURE RISE: MAX.80°C (MOTOR STANDSTILL; FOR 2 PHASE ENERGIZED)	
AMBIENT TEMPERATURE -10°~ 50°C [14°F ~ 122°F]	
INSULATION RESISTANCE 100 MOhm (UNDER NORMAL TEMPERATURE AND HUMIDITY)	
INSULATION CLASS B 130° [266°F]	
DIELECTRIC STRENGTH 500VAC FOR 1 MIN. (BETWEEN THE MOTOR COILS AND THE MOTOR CASE)	
AMBIENT HUMIDITY MAX. 85% (NO CONDENSATION)	



TYPE OF CONNECTION (EXTERN)		MOTOR	
PIN NO	BIPOLAR	LEADS	WINDING
1	A —	BRN	A
2	A \ —	ORG	A \
3	B —	RED	B
4	B \ —	YEL	B \

WIRING DIAGRAM

FULL STEP 2 PHASE-Ex., WHEN FACING MOUNTING END (X)

STEP	A	B	A \	B \	CCW	CW
1	+	+	-	-	↓	↑
2	-	+	+	-	↑	↓
3	-	-	+	+	↓	↑
4	+	-	-	+	↑	↓

				 Nanotec [®] PLUG & DRIVE	SCALE FREE	APVD	S.H.	04.06.09	LINEAR AKTUATOR DWG.NO L4118L1804-T5x5
REV	DESCRIPTION	DATE	APVD		X ±0.5	CHKD			
				1PL ±0.2	DRN	J.W.	04.06.09		
				2PL ±0.1	SIGNATURE		DATE		
				ANGLE ±30'					