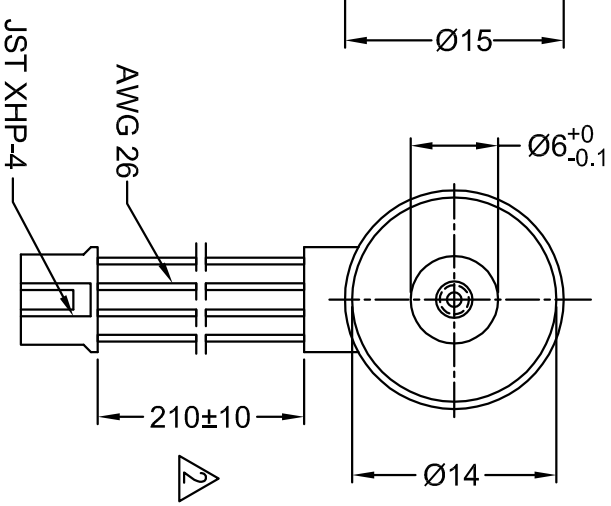
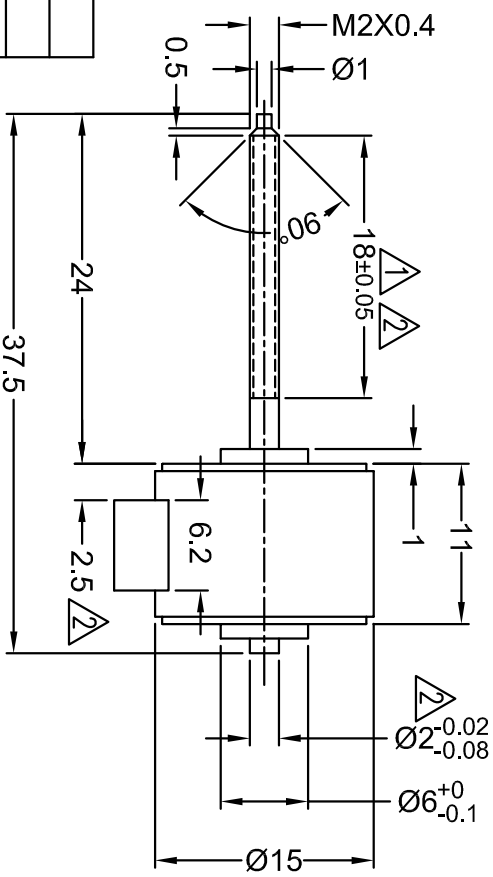


DIMENSION (UNIT : mm)



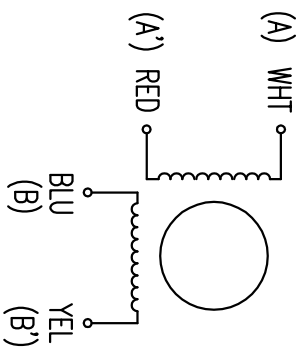
SPECIFICATION	
RATED VOLTAGE (VM)DC	12
AMPS/PHASE	0.071
RESISTANCE /PHASE Rm (Ohms)@25°C	170±7%
INDUCTANCE/PHASE.mH @1KHz	28±20%
STEP ANGLE (DEG)	18
STEP ACCURACY (NON-ACCUM)	±7%
HOLDING TORQUE (g-cm)	40
ROTOR INERTIA (g-cm ²)	1.0
WEIGHT (g)	13
TRUST FORCE/N	3
MAXIMUM STARTING PULSE RATE/pps	
TEMPERATURE RISE	MAX.80°C
INSULATION RESISTANCE	100M ohm
DIELECTRIC STRENGTH	500VAC FOR ONE MINUTE
AMBIENT TEMPERATURE	-10°C ~ 40°C

FULL STEP 2 PHASE-EX.,
WHEN FACING MOUNTING END (X)

STEP	A	B	A'	B'	CCW
1	+	+	-	-	↺
2	-	+	+	-	↺
3	-	-	+	+	↻
4	+	-	-	+	↻

PIN NO.	LEADERS
1	WHT
2	RED
3	BLU
4	YEL

WIRING DIAGRAM



NANOTEC:
LSP1518M0104-M2X0.4

SCALE FREE		APVD	M 2:1
X	±0.5	CHKD	
1PL	±0.2	DRN	24.02.06
2PL	±0.1	SIGNATURE	DATE
ANGLE	±30°		

Linear Actuator LSP15
DWG.NO LSP1518M0104-M2X0.4