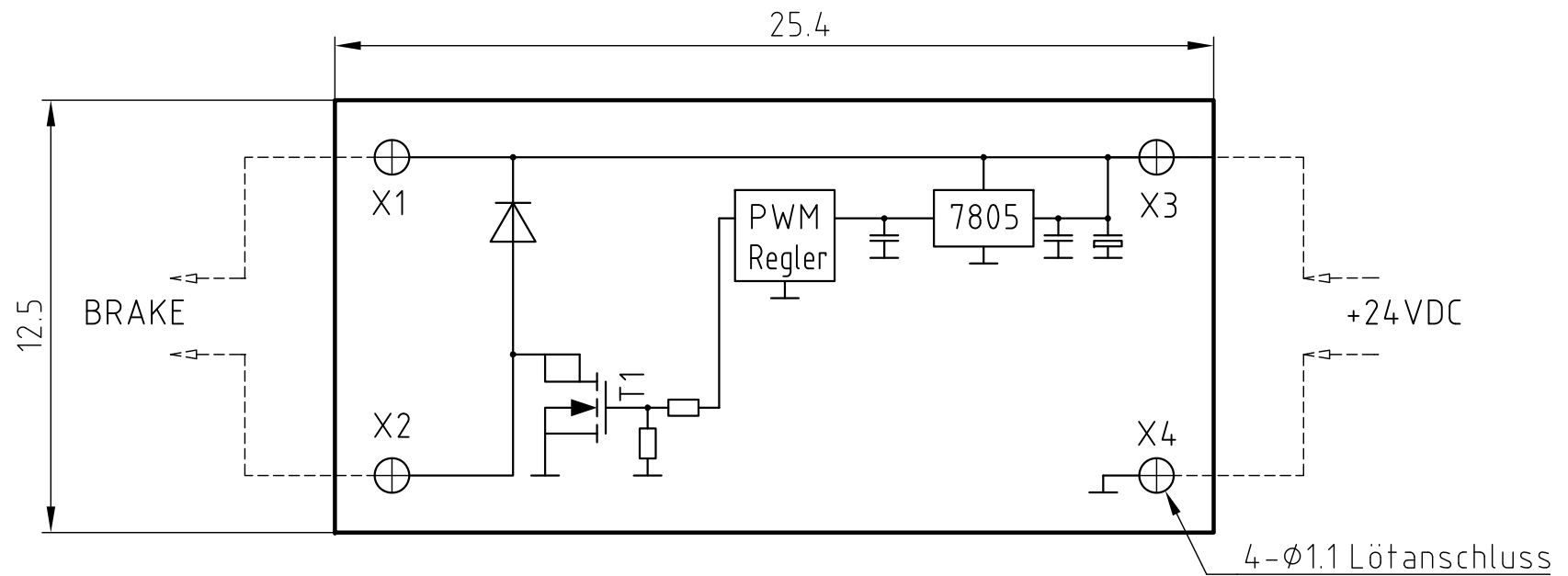
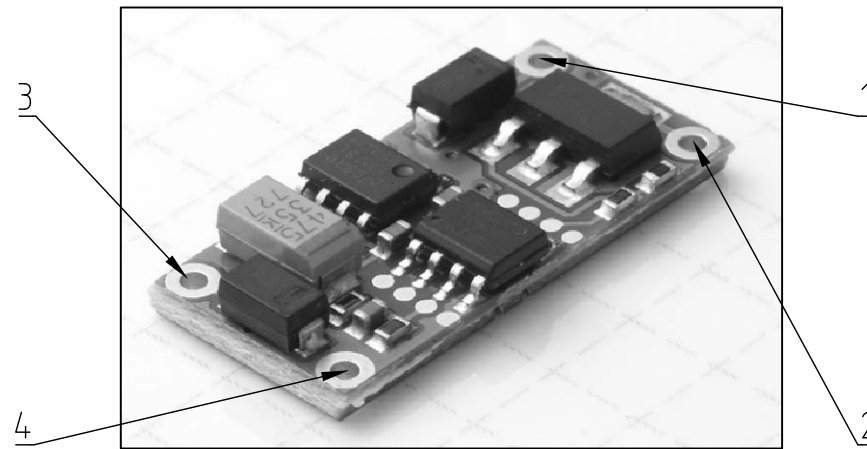


DIMENSION (UNIT : mm)



DIN 2768-m		Oberfläche:		NANOTEC		SCALE FREE	APVD	M 4:1		BREMSPLATINE EB-BRAKE	
Material: 1.4305				EB-BRAKE-PLATINE		X ±0.5	CHKD			DWG.NO	
REV	DESCRIPTION	DATE	APVD			1PL ±0.2	DRN	04.06.08		EB-BRAKE-PLATINE	
						2PL ±0.1	SIGNATURE	DATE			
						ANGLE ±30'					