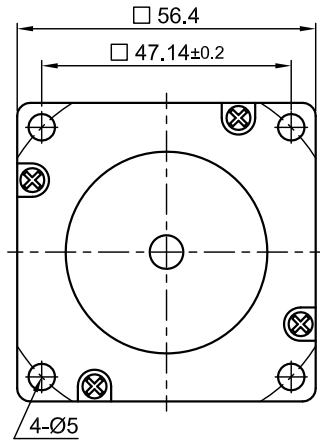
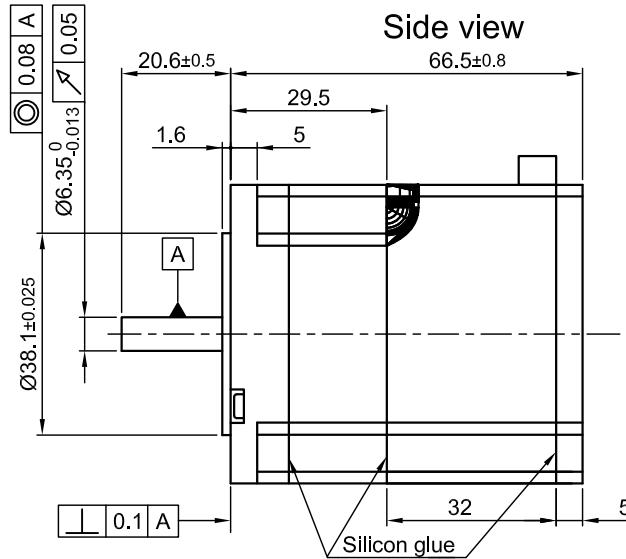


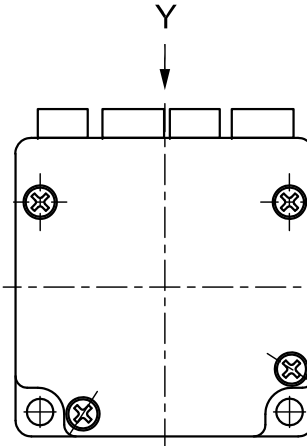
Front view and mounting



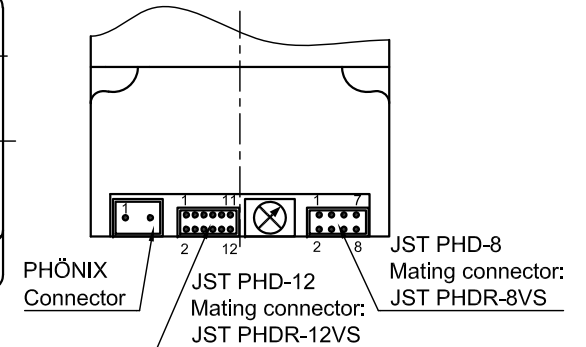
Side view



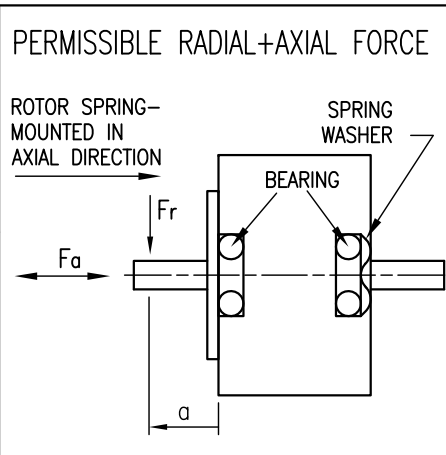
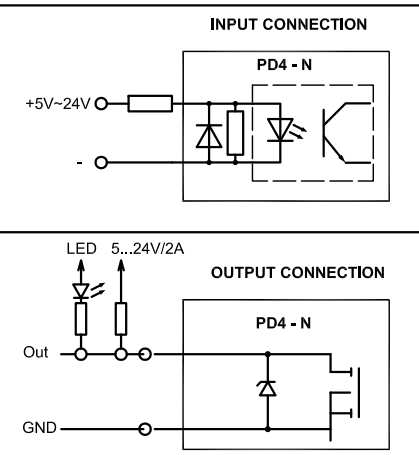
Rear view



Y view



SPECIFICATION	CONNECTION	BIPOLAR PARALLEL
SUPPLY VOLTAGE (VDC)		24 TO 48
AMPS/PHASE		* UP TO 4.8 (100%=3.2)
HOLDING TORQUE (Nm) [lb-in]		0.537 [4.752]
DETENT TORQUE (Nm) [lb-in]		0.0147 [0.13]
STEP ANGLE (°) ± ACCURACY		* 1.8 TO MICROSTEP
WEIGHT (Kg) [lb]		0.49 [1.08]
* ADJUSTABLE WITH NANOPRO.		



JST PHDR-8VS			JST PHDR-12VS		
PIN No.	WIRE COLOUR	ASSIGNMENT	PIN No.	WIRE COLOUR	ASSIGNMENT
1	BU	GND	1	GY-BN	COM
2	WH-PK	+UB extern	2	RD	GND
3	YE	RS485 Rx-	3	BK	INPUT 1
4	GN	RS485 Rx+	4	VT	INPUT 2
5	PK	RS485 Tx-	5	GY-PK	INPUT 3
6	GY	RS485 Tx+	6	RD-BU	INPUT 4
7	BN	CAN+	7	WH-GN	INOUT 5
8	WH	CAN-	8	BN-GN	INPUT 6
FK-MCP-1.5/2-ST-3.5 gn			9	WH-BU	ANALOG INPUT
FULL STEP 2 PHASE-Ex., WHEN FACING MOUNTING END (X)			10	WH-YE	OUTPUT 1
PIN No.	WIRE COLOUR	ASSIGNMENT	11	YE-BN	OUTPUT 2
1	BK	GND	12	WH-GY	OUTPUT 3
2	BN	Vcc			

OVERTEMPERATURE PROTECTION (ELECTRONICS): 80°C			
AMBIENT TEMPERATURE -10°~ 40°C [14°F ~ 104°F] (HIGHER TEMPERATURE REDUCES DUTY CYCLE)			
INSULATION RESISTANCE 100 MOhm (UNDER NORMAL TEMPERATURE AND HUMIDITY)			
INSULATION CLASS B 130° [266°F]			
DIELECTRIC STRENGTH 500VAC FOR 1 MIN. (BETWEEN THE MOTOR COILS AND THE MOTOR CASE)			
AMBIENT HUMIDITY MAX. 85% (NO CONDENSATION)			

AXIAL-FORCE Fa (N)	Fa=10			
DISTANCE a (mm)	5	10	15	20
RADIAL-FORCE Fr (N)	130	90	70	52
	AXIAL	RADIAL		
SHAFT PLAY (mm)	0.08	0.02		
AT LOAD MAX: (N)	4.5	4.5		

STEP	A	B	A\	B\	CCW
1	+	+	-	-	
2	-	+	-	-	
3	-	-	+	+	
4	+	-	-	+	

CABLE SET:  
ZK-PD4N  
L=500mm

2	NEW VALUE OF ADJUSTABLE CURRENT	07.04.10	J.W.
1	NEW WIRE COLOUR	12.03.10	J.W.
REV	DESCRIPTION	DATE	APVD



PD4-N5918X4204

SCALE FREE	APVD	S.H.	30.10.09
X ±0.5	CHKD		
1PL ±0.2	DRN	J.W.	30.10.09
2PL ±0.1	SIGNATURE	DATE	
ANGLE ±30'			

<b>PLUG&amp;DRIVE MOTOR</b>	
DWG.NO	PD4-N5918X4204