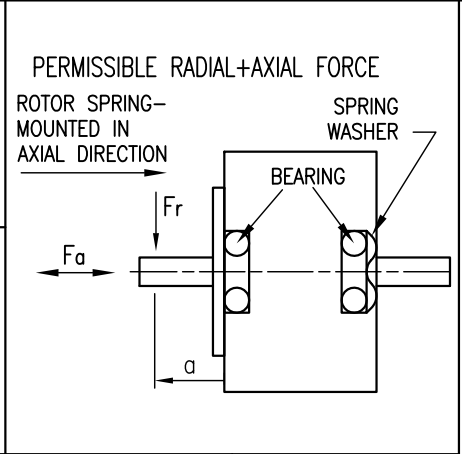
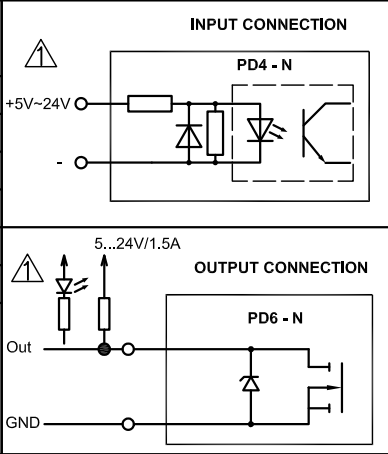


SPECIFICATION	CONNECTION	BIPOLAR PARALLEL
SUPPLY VOLTAGE (VDC)		24 to 48
AMPS/PHASE		* adj. to 11A (rated 7A)
HOLDING TORQUE (Nm) [lb-in]		5.94 [52.57]
DETENT TORQUE (Nm) [lb-in]		0.11 [0.974]
STEP ANGLE (°) ± ACCURACY		* 1.8 to Microstep
WEIGHT (Kg) [lb]		3.4 [7.5]
* adjustable with Nanopro.		



TWINTUS CONNECTOR 18 POLE	
Funktion	Pin No.
OUTPUT 1	1
OUTPUT 2	2
OUTPUT 3	3
ANALOG INPUT	4
+UB EXTERN	5
GND (W001)	6
RS485 Tx+	7
RS485 Tx-	8
RS485 Rx-	9
RS485 Rx+	10
INPUT 1	11
INPUT 2	12
INPUT 3	13
INPUT 4	14
INPUT 5	15
INPUT 6	16
CAN -	17
CAN +	18

TWINTUS CONNECTOR 3 POLE	
FUNKTION	PIN NO.
+UB	1
GND	2
PROTECTIVE WIRE	3

OVERTEMPERATURE PROTECTION (ELECTRONICS): 80°C	AXIAL-FORCE $F_a$ (N)	$F_a=65$			
AMBIENT TEMPERATURE -10°~ 50°C [14°F ~ 122°F]	DISTANCE $a$ (mm)	5	10	15	20
INSULATION RESISTANCE 100 MΩm (UNDER NORMAL TEMPERATURE AND HUMIDITY)	RADIAL-FORCE $F_r$ (N)	535	355	256	200
INSULATION (MOTOR) CLASS B 130° [266°F]		AXIAL		RADIAL	
DIELECTRIC STRENGTH 500VAC FOR 1 MIN. (BETWEEN THE MOTOR COILS AND THE MOTOR CASE)	SHAFT PLAY (mm)	0.075		0.025	
AMBIENT HUMIDITY MAX. 85% (NO CONDENSATION)	AT LOAD MAX: (N)	10		5	

1	NEW CONNECTION OF IN-, OUTPUT	07.09.10.	J.W.	 <b>Nanotec</b> PLUG & DRIVE	SCALE FREE	APVD	S.Ha.	13.07.09	<b>STEPPING MOTOR</b> DWG.NO PD6-N8918M9504-S
REV	DESCRIPTION	DATE	APVD		X ±0.5 1PL ±0.2 2PL ±0.1 ANGLE ±30'	CHKD	DRN	J.W.	
				PD6-N8918M9504-S			SIGNATURE	DATE	