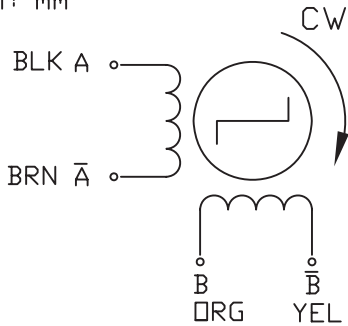


UNIT: mm



SPECIFICATION:

VOLTAGE: 5VDC  
 RESISTANCE: 10 Ω±7%  
 STEP ANGLE: 18°  
 HOLDING TORQUE: 2Kg.cm  
 INDUCTANCE: 2.25mH±20%  
 GEAR RATIO: 1-102.5  
 LEAD WIRE: UL1571 30#  
 INSULATION: CLASS E

GEAR TYPE: PLANETARY  
 GEAR MATERIAL: NYLON

Pin No.	WIRE COLOR	STEP			
		1	2	3	4
1	ORG	+	+	-	-
2	YEL	-	-	+	+
3	BLK	+	-	-	+
4	BRN	-	+	+	-
5					
6					

CCW ←

					PM STEPPER WITH PLANETARY GEARBOX			
MARK	PLCS	AMDT	FILE	MD.	SIG.	DATE		
DRAW	ZHOU Y.	2005.	04.27	TEC.			MARK	VER.
CHECK				APP.	YU LX	2005.	A	B
						04.27	A/O	SCALE
								1:1
							PAGE	MD.
								OF



PG15