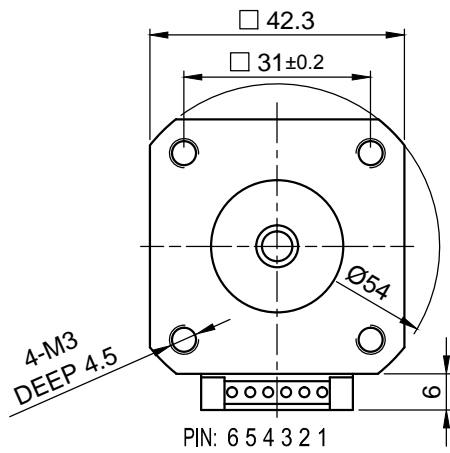
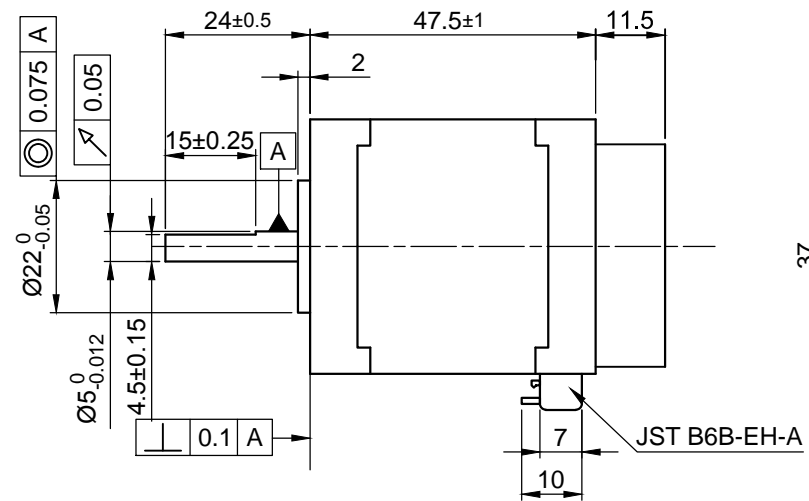


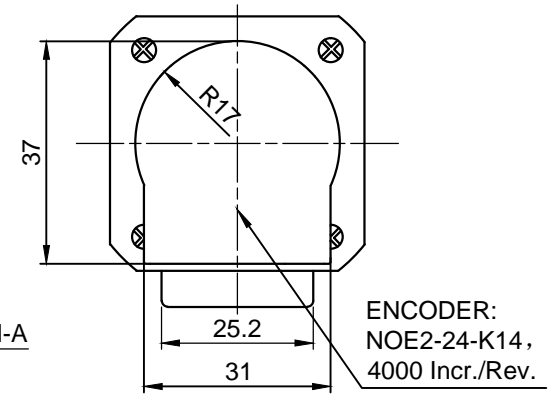
Front view and mounting



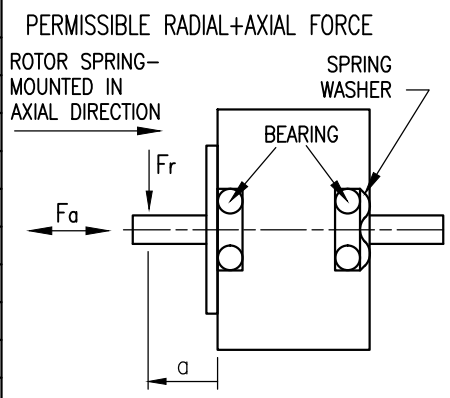
Side view



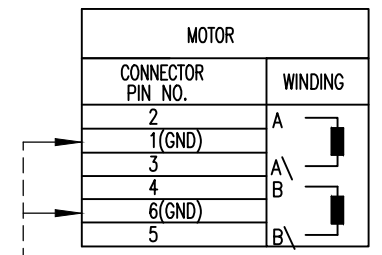
Rear view



SPECIFICATION	CONNECTION	BIPOLAR SERIES
VOLTAGE (VDC)		3.15
AMPS/PHASE		1.8
RESISTANCE/PHASE (Ohms)@25°C		1.75±15%
INDUCTANCE/PHASE (mH) @1KHz		3.3±20%
HOLDING TORQUE (Nm) [lb-in]		0.5 [4.425]
DETENT TORQUE (Nm) [lb-in]		1.37x10 <sup>-2</sup> [0.1212]
STEP ANGLE (°)		1.8
ACCURACY (NON-ACCUM)		±5%
ROTOR INERTIA (Kg-m <sup>2</sup> ) [lb-in <sup>2</sup> ]		8.2x10 <sup>-6</sup> [2.8x10 <sup>-2</sup> ]
WEIGHT (Kg) [lb]		0.34 [0.75]
TEMPERATURE RISE: MAX.80°C (MOTOR STANDSTILL; FOR 2 PHASE ENERGIZED)		
AMBIENT TEMPERATURE -10~ 50°C [14°F ~ 122°F]		
INSULATION RESISTANCE 100 MOhm (UNDER NORMAL TEMPERATURE AND HUMIDITY)		
INSULATION CLASS B 130° [266°F]		
DIELECTRIC STRENGTH 500VAC FOR 1 MIN. (BETWEEN THE MOTOR COILS AND THE MOTOR CASE)		
AMBIENT HUMIDITY MAX. 85% (NO CONDENSATION)		



AXIAL-FORCE Fa (N)	Fa=7			
DISTANCE a (mm)	5	10	15	20
RADIAL-FORCE Fr (N)	58	36	26	20
		AXIAL	RADIAL	
SHAFT PLAY (mm)	0.08	0.02		
AT LOAD MAX: (N)	4.5	4.5		

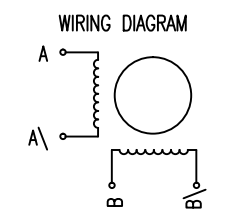


PIN 1 AND PIN 6 CONNECT WITH HOUSING OF MOTOR

FULL STEP 2 PHASE-Ex., WHEN FACING MOUNTING END (X)

STEP	A	B	A\	B\	CCW	CW
1	+	+	-	-	↓	↑
2	-	+	+	-	↑	↓
3	-	-	+	+	↓	↑
4	+	-	-	+	↑	↓

ENCODER PIN ASSIGNMENT	JST SM10B-GHS-TB
PIN NO.	FUNCTION
PIN 1	GND
PIN 2	A
PIN 3	A\
PIN 4	B\
PIN 5	B
PIN 6	I\
PIN 7	I
PIN 8	0V
PIN 9	+24V
PIN 10	GND



					SCALE FREE	APVD			<b>STEPPING MOTOR</b>
					X ±0.5	CHKD	L B	24.10.12	
				1PL ±0.2	DRN	GYQ	24.10.12	DWG.NO	SC4118L1804-ENO24K
REV	DESCRIPTION	DATE	APVD	2PL ±0.1	SIGNATURE		DATE		
				ANGLE ±30'					