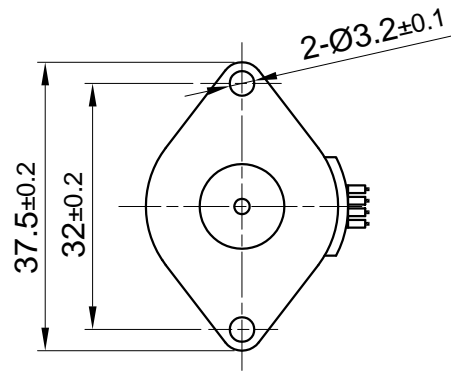
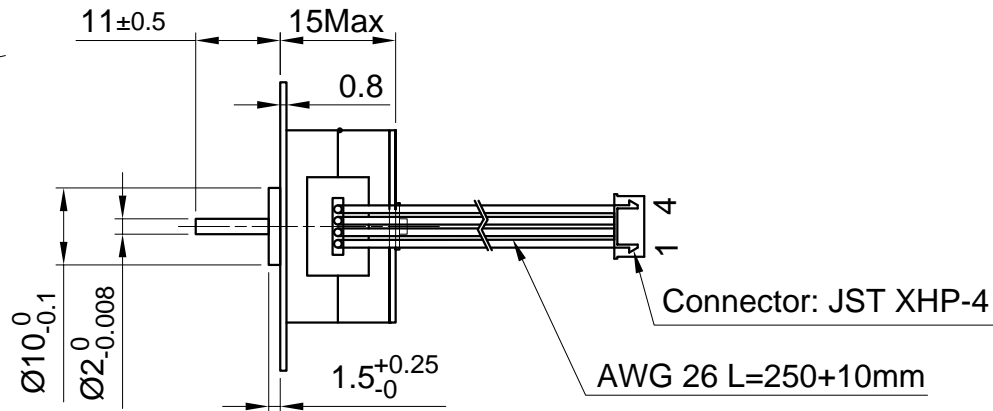


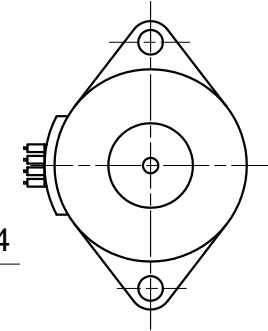
Front view and mounting



Side view

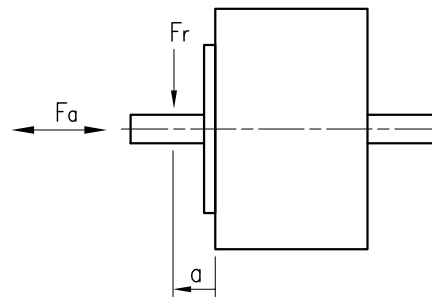


Rear view



SPECIFICATION	CONNECTION	BIPOLAR
VOLTAGE (VDC)		3.8
AMPS/PHASE		0.76
RESISTANCE/PHASE (Ohms)@25°C		5±10%
INDUCTANCE/PHASE (mH) @1KHz		3±20%
HOLDING TORQUE (Nm) [lb-in]		0.01 [0.089]
DETENT TORQUE (Nm) [lb-in]		3.0x10 ⁻³ [2.65x10 ⁻²]
STEP ANGLE (°)		7.5
STEP ACCURACY (NON-ACCUM)		±8%
ROTOR INERTIA (Kg-m ²) [lb-in ²]		1.0x10 ⁻⁷ [3.416x10 ⁻⁴]
WEIGHT (Kg) [lb]		0.036 [0.079]
TEMPERATURE RISE: MAX.80°C (MOTOR STANDSTILL; FOR 2 PHASE ENERGIZED)		
AMBIENT TEMPERATURE -20~ 50°C [-4°F ~ 122°F]		
INSULATION RESISTANCE 100 MOhm (UNDER NORMAL TEMPERATURE AND HUMIDITY)		
INSULATION CLASS E 120° [248°F]		
DIELECTRIC STRENGTH 500VAC FOR 1 MIN. (BETWEEN THE MOTOR COILS AND THE MOTOR CASE)		
AMBIENT HUMIDITY MAX. 85% (NO CONDENSATION)		

PERMISSIBLE RADIAL+AXIAL FORCE

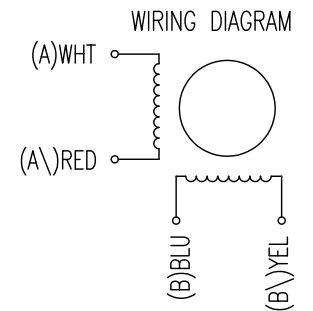


AXIAL-FORCE Fa (N)	Fr=3.0	
Fa=1.5		
DISTANCE a (mm)	1/2 SCHAFTLENGTH	
RADIAL-FORCE Fr (N)	AXIAL	RADIAL
	0.08	0.06
SHAFT PLAY (mm)		
AT LOAD MAX: (N)	4.5	4.5

TYPE OF CONNECTION (EXTERN)	MOTOR		
	CONNECTION PIN NO.	LEADS	WINDING
A —	1	WHT	A
A\ —	2	RED	A\
B —	3	BLU	B
B\ —	4	YEL	B\

FULL STEP 2 PHASE-Ex., WHEN FACING MOUNTING END (X)

STEP	A	B	A\	B\	
1	+	+	-	-	CCW
2	-	+	+	-	
3	-	-	+	+	CW
4	+	-	-	+	



NANOTEC:				SCALE FREE	APVD	<i>S.H.a.</i>	12.03.07	STEPPING MOTOR
SP2575M0704-A				X ±0.5	CHKD			
REV	DESCRIPTION	DATE	APVD	1PL ±0.2	DRN	<i>J.W.</i>	13.11.06	DWG.NO
				2PL ±0.1	SIGNATURE			SP2575M0704-A
				ANGLE ±30'				