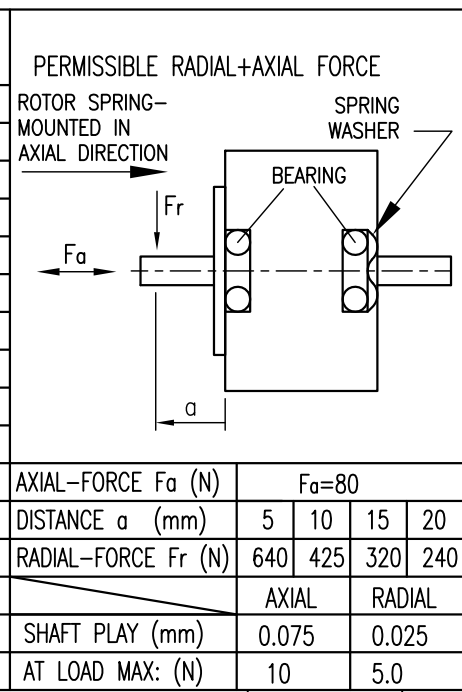


CONNECTION	BIPOLAR
SPECIFICATION	
VOLTAGE (VDC)	8.0
AMPS/PHASE	8.0
RESISTANCE/PHASE (Ohms)@25°C	1.0±15%
INDUCTANCE/PHASE (mH) @1KHz	17.1±20%
HOLDING TORQUE (Nm) [lb-in]	25 [221.3]
DETENT TORQUE (Nm) [lb-in]	0.75 [6.64]
STEP ANGLE (°) ± STEP ACCURACY	1.8 ± 5% (NON-ACCUM)
BACK-EMF (V) (300 U/min)	90.0
ROTOR INERTIA (Kg-m <sup>2</sup> ) [lb-in <sup>2</sup> ]	1.62x10 <sup>-3</sup> [5.533]
WEIGHT (Kg) [lb]	11.7 [25.8]
TEMPERATURE RISE: MAX.80°C (MOTOR STANDSTILL; FOR 2 PHASE ENERGIZED)	
AMBIENT TEMPERATURE -10~ 50°C [14°F ~ 122°F]	
INSULATION RESISTANCE 100 MOhm (UNDER NORMAL TEMPERATURE AND HUMIDITY)	
INSULATION CLASS B 130° [266°F]	
DIELECTRIC STRENGTH 500VAC FOR 1 MIN. (BETWEEN THE MOTOR COILS AND THE MOTOR CASE)	
AMBIENT HUMIDITY MAX. 85% (NO CONDENSATION)	



TYPE OF CONNECTION (EXTERN)	MOTOR	
	LEADS	WINDING
BIPOLAR		
A —	RED	A
A\ —	WHT	A\
B —	YEL	B
B\ —	GRN	B\

FULL STEP 2 PHASE-Ex., WHEN FACING MOUNTING END (X)

STEP	A	B	A\	B\	CCW	CW
1	+	+	-	-	↓	↑
2	-	+	+	-	↓	↑
3	-	-	+	+	↓	↑
4	+	-	-	+	↓	↑

WIRING DIAGRAM

2	VALUE OF BACK-EMF	24.06.09	J.W.	 <b>Nanotec</b> PLUG & DRIVE	SCALE FREE	APVD	<i>S.Ha.</i>	16.01.07	<b>STEPPING MOTOR</b> DWG.NO ST11018L8004
1	NEW VALUES	19.11.07	J.W.		X ±0.5	CHKD			
REV	DESCRIPTION	DATE	APVD	ST11018L8004	1PL ±0.2	DRN	<i>J.W.</i>	24.07.06	
					2PL ±0.1	SIGNATURE		DATE	
					ANGLE ±30'				