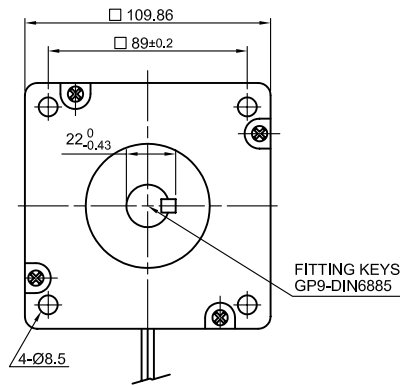
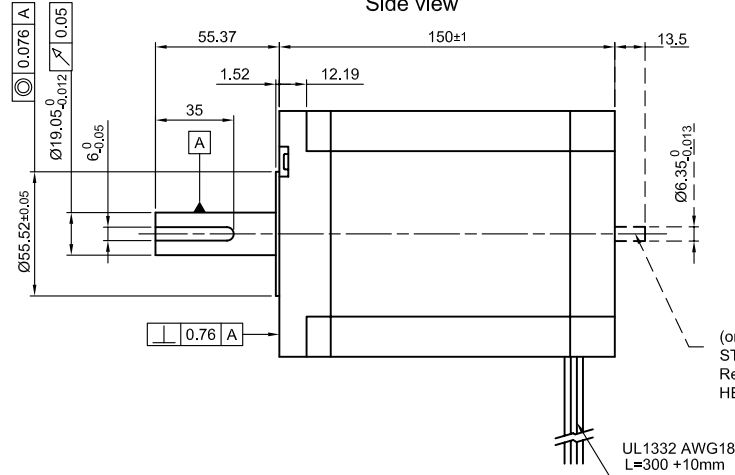


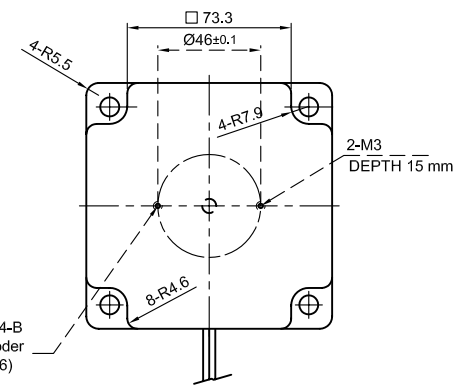
Front view and mounting



Side view

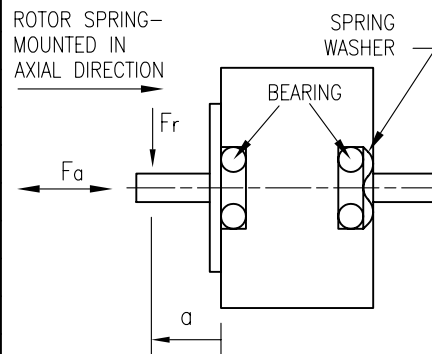


Rear view



CONNECTION	BIPOLAR
SPECIFICATION	
VOLTAGE (VDC)	7.5
AMPS/PHASE	6.5
RESISTANCE/PHASE (Ohms)@25°C	1.15±15%
INDUCTANCE/PHASE (mH) @1KHz	15.2±20%
HOLDING TORQUE (Nm) [lb-in]	21 [186]
DETENT TORQUE (Nm) [lb-in]	0.63 [5.58]
STEP ANGLE (°)	1.8
STEP ACCURACY (NON-ACCUM)	±5%
ROTOR INERTIA (Kg-m ²) [lb-in ²]	1.09x10 ⁻³ [3.723]
WEIGHT (Kg) [lb]	8.4 [18.52]
TEMPERATURE RISE: MAX.80°C (MOTOR STANDSTILL; FOR 2 PHASE ENERGIZED)	
AMBIENT TEMPERATURE -10°~ 50°C [14°F ~ 122°F]	
INSULATION RESISTANCE 100 MOhm (UNDER NORMAL TEMPERATURE AND HUMIDITY)	
INSULATION CLASS B 130° [266°F]	
DIELECTRIC STRENGTH 500VAC FOR 1 MIN. (BETWEEN THE MOTOR COILS AND THE MOTOR CASE)	
AMBIENT HUMIDITY MAX. 85% (NO CONDENSATION)	

PERMISSIBLE RADIAL+AXIAL FORCE

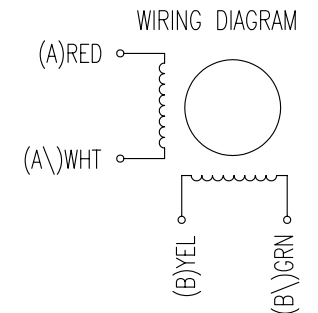


AXIAL-FORCE Fa (N)	Fa=80			
DISTANCE a (mm)	5	10	15	20
RADIAL-FORCE Fr (N)	640	425	320	240
		AXIAL	RADIAL	
SHAFT PLAY (mm)	0.075	0.025		
AT LOAD MAX: (N)	10	5.0		

TYPE OF CONNECTION (EXTERN)	MOTOR	
	LEADS	WINDING
BIPOLAR		
A —	RED	A
A\ —	WHT	A\
B —	YEL	B
B\ —	GRN	B\

FULL STEP 2 PHASE-Ex., WHEN FACING MOUNTING END (X)

STEP	A	B	A\	B\	CCW	CW
1	+	+	-	-	↓	↑
2	-	+	+	-	↓	↑
3	-	-	+	+	↓	↑
4	+	-	-	+	↓	↑



REV	DESCRIPTION	DATE	APVD	NANOTEC:	SCALE FREE	APVD	S.Ha.	16.01.07	STEPPING MOTOR
1	NEW VALUES	19.11.07	J.W.	ST11018M6504	X ±0.5	CHKD			
					1PL ±0.2	DRN	J.W.	24.07.06	DWG.NO
					2PL ±0.1				ST11018M6504
					ANGLE ±30'	SIGNATURE		DATE	