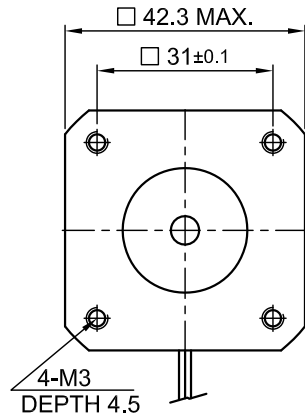
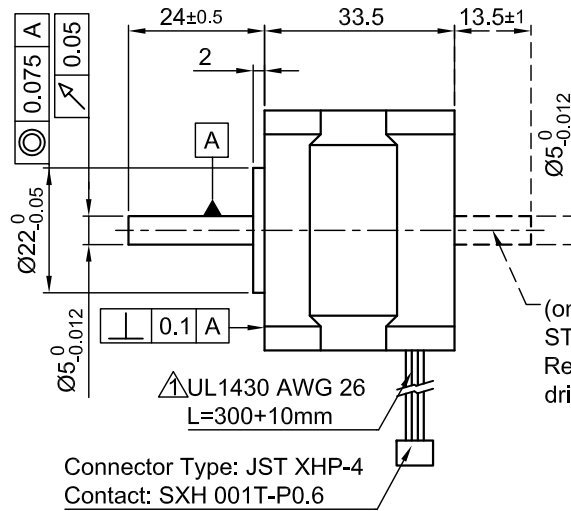


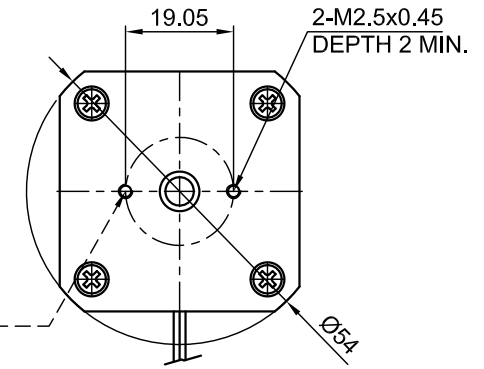
Front view and mounting



Side view



Rear view

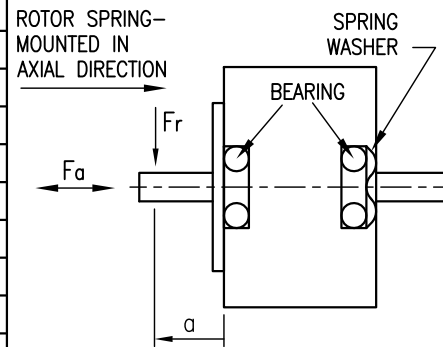


(only for type ST4209S0404-B Ready for encoder + driver mount)

Connector Type: JST XHP-4
Contact: SXH 001T-P0.6

CONNECTION	BIPOLAR
SPECIFICATION	
VOLTAGE (VDC)	5.46
AMPS/PHASE	0.42
RESISTANCE/PHASE (Ohms)@25°C	13±15%
INDUCTANCE/PHASE (mH) @1KHz	7.5±20%
HOLDING TORQUE (Nm) [lb-in]	0.076 [0.673]
DETENT TORQUE (Nm) [lb-in]	2.3x10 ⁻³ [0.002]
STEP ANGLE (°)	0.9
STEP ACCURACY (NON-ACCUM)	±5%
ROTOR INERTIA (Kg-m ²) [lb-in ²]	3.5x10 ⁻⁶ [0.012]
WEIGHT (Kg) [lb]	0.22 [0.485]
TEMPERATURE RISE: MAX.80°C (MOTOR STANDSTILL; FOR 2 PHASE ENERGIZED)	
AMBIENT TEMPERATURE -10~ 50°C [14°F ~ 122°F]	
INSULATION RESISTANCE 100 MOhm (UNDER NORMAL TEMPERATURE AND HUMIDITY)	
INSULATION CLASS B 130° [266°F]	
DIELECTRIC STRENGTH 500VAC FOR 1 MIN. (BETWEEN THE MOTOR COILS AND THE MOTOR CASE)	
AMBIENT HUMIDITY MAX. 85% (NO CONDENSATION)	

PERMISSIBLE RADIAL+AXIAL FORCE

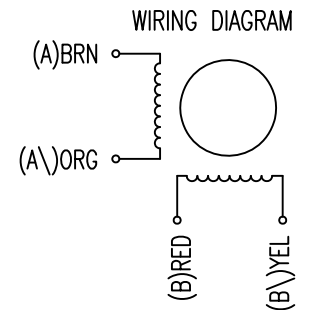


AXIAL-FORCE Fa (N)	Fa=7			
DISTANCE a (mm)	5	10	15	20
RADIAL-FORCE Fr (N)	58	36	26	20
	AXIAL	RADIAL		
SHAFT PLAY (mm)	0.075	0.025		
AT LOAD MAX: (N)	10	5.0		

TYPE OF CONNECTION (EXTERN)	MOTOR			
	BIPOLAR	CONNECTOR PIN NO.	LEADS	WINDING
A —	1	BRN	A	
A\ —	2	ORG	A\	
B —	3	RED	B	
B\ —	4	YEL	B\	

FULL STEP 2 PHASE-Ex., WHEN FACING MOUNTING END (X)

STEP	A	B	A\	B\	
1	+	+	-	-	CCW
2	-	+	+	-	
3	-	-	+	+	
4	+	-	-	+	CW



REV	DESCRIPTION	DATE	APVD	ST4209S0404	SCALE FREE	APVD	S.Hα.	08.05.07	STEPPING MOTOR
1	VALUE OF INDUCTANCE+NEW UL NO.	27.04.09	J.W.		X ±0.5	CHKD			
					1PL ±0.2	DRN	J.W.	08.05.07	DWG.NO
					2PL ±0.1				
					ANGLE ±30'	SIGNATURE		DATE	ST4209S0404