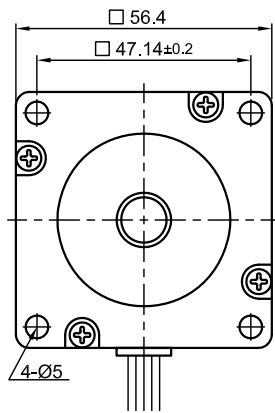
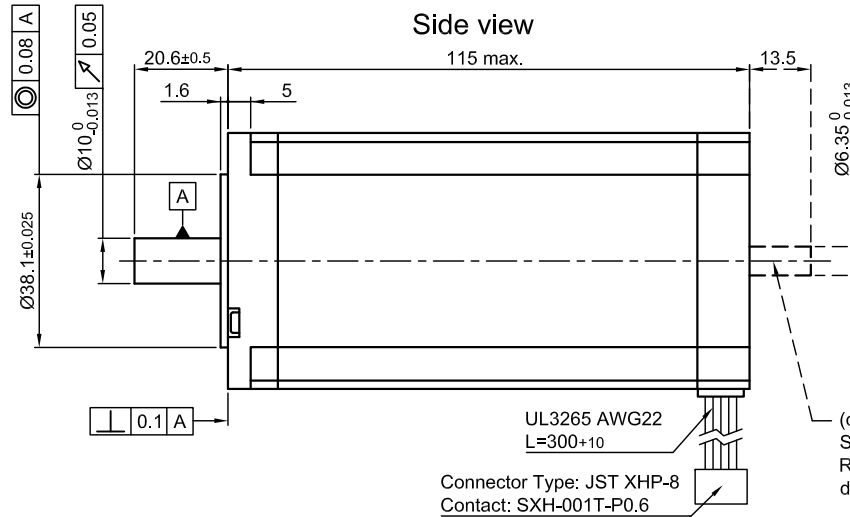


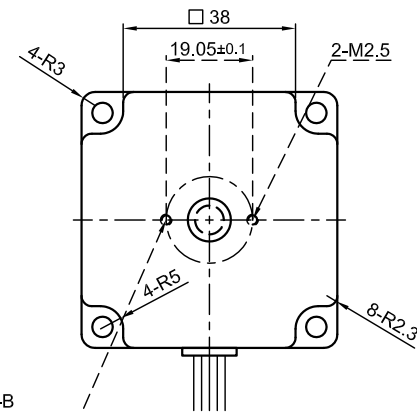
Front view and mounting



Side view

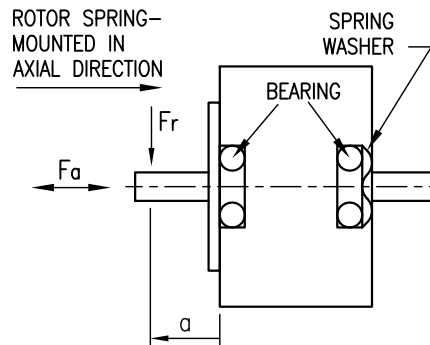


Rear view



SPECIFICATION	CONNECTION	UNIPOLAR OR BIPOLAR-1 WINDING		BIPOLAR	
		SERIAL	PARALLEL	SERIAL	PARALLEL
VOLTAGE (VDC)		4.2			
AMPS/PHASE		4.2	2.97	5.94	
RESISTANCE/PHASE (Ohms)@25°C		1.0±15%	2.0±15%	0.5±15%	
INDUCTANCE/PHASE (mH) @1KHz		2.6±20%	10.4±20%	2.6±20%	
HOLDING TORQUE (Nm) [lb-in]		1.8 [15.93]	2.55 [22.57]	2.55 [22.57]	
DETENT TORQUE (Nm) [lb-in]		0.09 [0.797]			
STEP ANGLE (°) ± ACCURACY		1.8±5% (NON-ACCUM)			
BACK-EMF (V) (300 U/min)		24			
ROTOR INERTIA (Kg-m ²) [lb-in ²]		6.5x10 ⁻⁵ [0.222]			
WEIGHT (Kg) [lb]		1.8 [3.97]			
TEMPERATURE RISE: MAX.80°C (MOTOR STANDSTILL; FOR 2 PHASE ENERGIZED)		AXIAL-FORCE Fa (N)		Fa=25	
AMBIENT TEMPERATURE -10~ 50°C [14°F ~ 122°F]		DISTANCE a (mm)		5	10 15 20
INSULATION RESISTANCE 100 MOhm (UNDER NORMAL TEMPERATURE AND HUMIDITY)		RADIAL-FORCE Fr (N)		228	169 139 100
INSULATION CLASS B 130° [266°F]				AXIAL	RADIAL
DIELECTRIC STRENGTH 500VAC FOR 1 MIN. (BETWEEN THE MOTOR COILS AND THE MOTOR CASE)		SHAFT PLAY (mm)		0.075	0.025
AMBIENT HUMIDITY MAX. 85% (NO CONDENSATION)		AT LOAD MAX: (N)		10	5.0

PERMISSIBLE RADIAL+AXIAL FORCE

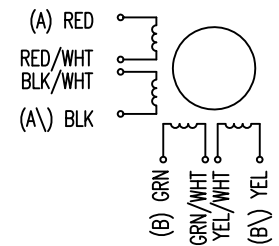


TYPE OF CONNECTION (EXTERN)				MOTOR		
UNIPOLAR	1WINDING	BIPOLAR SERIAL	PARALLEL	CONNECTOR PIN NO.	LEADS	WINDING
A	A	A	A	1	RED	A
COM	A			3	RED/WHT	
A\		A\	A\	2	BLK/WHT	A\
B	B	B	B	4	BLK	B
COM	B			5	GRN	
B\		B\	B\	7	GRN/WHT	B\
				6	YEL/WHT	
				8	YEL	

FULL STEP 2 PHASE-Ex., WHEN FACING MOUNTING END (X)

STEP	A	B	A\	B\	
1	+	+	-	-	CCW
2	-	+	+	-	
3	-	-	+	+	
4	+	-	-	+	CW

WIRING DIAGRAM



2	BACK-EMF SUPPLEMENTED	23.09.09	J.W.
1	ARTICLE RENAMED	08.05.07	J.W.
REV	DESCRIPTION	DATE	APVD



ST5918D4208

SCALE FREE	APVD	S.Ha.	16.01.07
X ±0.5	CHKD		
1PL ±0.2	DRN	J.W.	26.04.06
2PL ±0.1	SIGNATURE		
ANGLE ±30°	DATE		

STEPPING MOTOR

DWG.NO

ST5918D4208