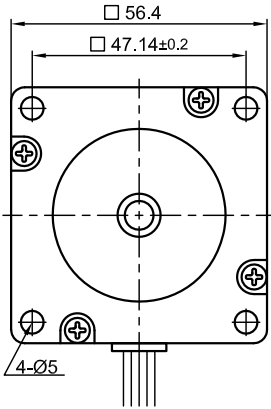
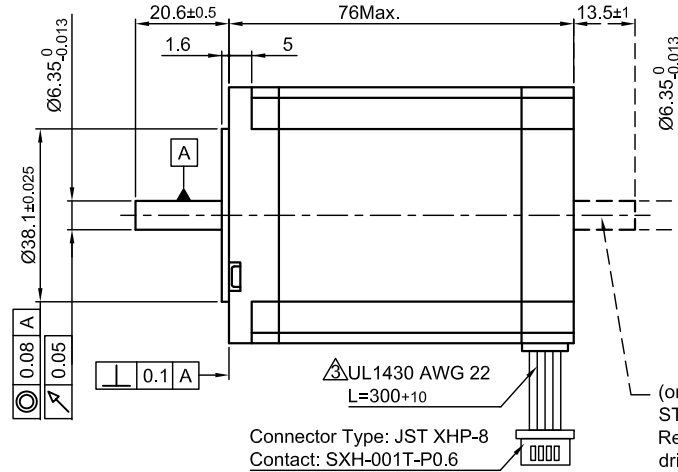


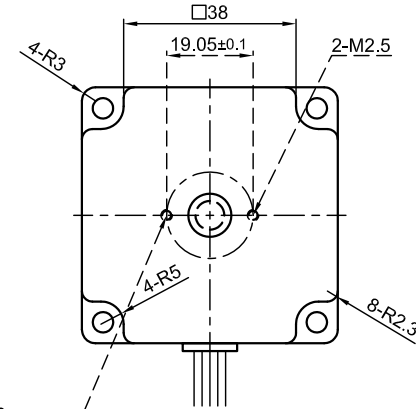
Front view and mounting



Side view

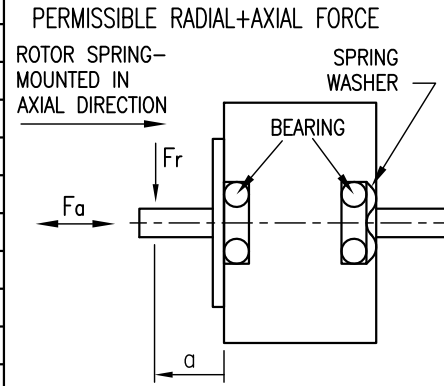


Rear view



(only for type ST5918L2008-B Ready for encoder + driver mount)

SPECIFICATION	CONNECTION		UNIPOLAR OR BIPOLAR	
	BIPOLAR-1 WINDING		SERIAL	PARALLEL
VOLTAGE (VDC)	4.8			
AMPS/PHASE	2.0		1.41	2.82
RESISTANCE/PHASE (Ohms)@25°C	2.4±10%		4.8±10%	1.2±10%
INDUCTANCE/PHASE (mH) @1KHz	5.1±20%		20.4±20%	5.1±20%
HOLDING TORQUE (Nm) [lb-in]	1.2 [10.62]		1.7 [15.02]	1.7 [15.02]
DETENT TORQUE (Nm) [lb-in]	0.068 [0.602]			
STEP ANGLE (°) ± ACCURACY	1.8±5% (NON-ACCUM)			
BACK-EMF (V) (300 U/min)	33.0			
ROTOR INERTIA (Kg-m <sup>2</sup> ) [lb-in <sup>2</sup> ]	4.8x10 <sup>-5</sup> [0.164]			
WEIGHT (Kg) [lb]	1.0 [2.2]			
TEMPERATURE RISE: MAX.80°C (MOTOR STANDSTILL; FOR 2 PHASE ENERGIZED)				
AMBIENT TEMPERATURE -10°~ 50°C [14°F ~ 122°F]				
INSULATION RESISTANCE 100 MOhm (UNDER NORMAL TEMPERATURE AND HUMIDITY)				
INSULATION CLASS B 130° [266°F]				
DIELECTRIC STRENGTH 500VAC FOR 1 MIN. (BETWEEN THE MOTOR COILS AND THE MOTOR CASE)				
AMBIENT HUMIDITY MAX. 85% (NO CONDENSATION)				

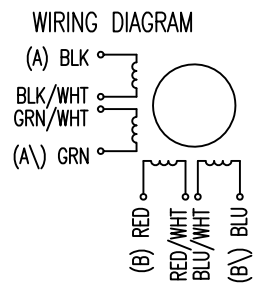


AXIAL-FORCE Fa (N)	Fa=15			
DISTANCE a (mm)	5	10	15	20
RADIAL-FORCE Fr (N)	130	90	70	52
	AXIAL	RADIAL		
SHAFT PLAY (mm)	0.08	0.02		
AT LOAD MAX: (N)	4.5	4.5		

UNIPOLAR	TYPE OF CONNECTION (EXTERN)			MOTOR		
	1WINDING	BIPOLAR SERIAL	BIPOLAR PARALLEL	CONNECTOR PIN NO.	LEADS	WINDING
A	A	A	A	1	BLK	A
COM	A			3	BLK/WHT	
A\		A\	A\	2	GRN/WHT	A\
B	B	B	B	4	GRN	B
COM	B			5	RED	
B\		B\	B\	7	RED/WHT	B\
				6	BLU/WHT	
				8	BLU	

FULL STEP 2 PHASE-Ex., WHEN FACING MOUNTING END (X)

STEP	A	B	A\	B\	CCW	CW
1	+	+	-	-	↓	↑
2	-	+	+	-	↓	↑
3	-	-	+	+	↓	↑
4	+	-	-	+	↓	↑



3	NEW UL NO.+VALUE OF BACK-EMF	20.07.09	J.W.	 <b>Nanotec</b> PLUG & DRIVE	SCALE FREE	APVD	S.Ha.	19.03.07	<b>STEPPING MOTOR</b>
2	TECHNICAL DATE	09.04.08	J.W.		X ±0.5	CHKD			
1	PIN-Belegung	04.01.08	J.W.		1PL ±0.2	DRN	J.W.	21.11.06	DWG.NO
REV	DESCRIPTION	DATE	APVD		2PL ±0.1	SIGNATURE		DATE	ST5918L2008
				ANGLE ±30'					