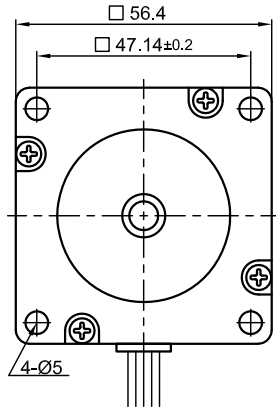
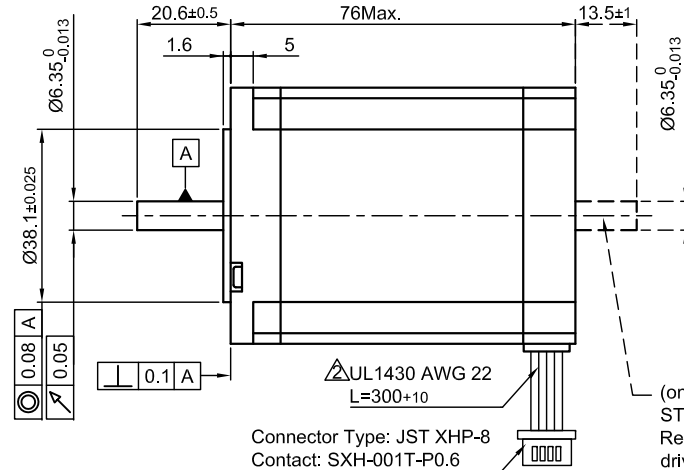


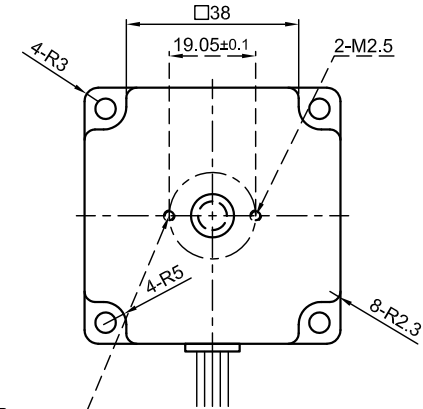
Front view and mounting



Side view

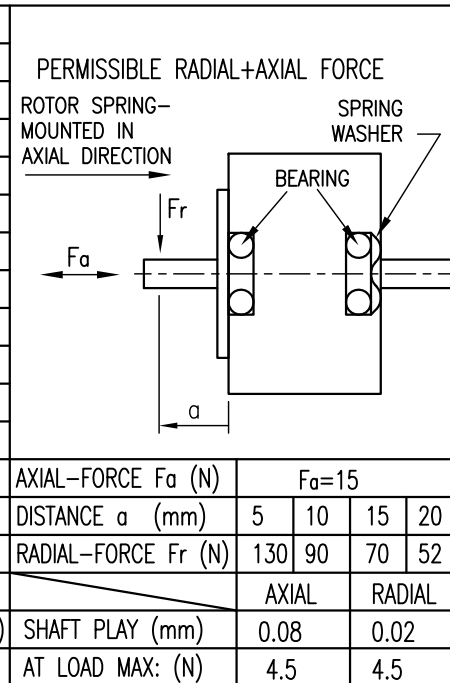


Rear view



(only for type ST5918L3008-B Ready for encoder + driver mount)

SPECIFICATION	CONNECTION		UNIPOLAR OR BIPOLAR	
	BIPOLAR-1 WINDING		SERIAL	PARALLEL
VOLTAGE (VDC)	3.0			
AMPS/PHASE	3.0		2.1	4.2
RESISTANCE/PHASE (Ohms)@25°C	1.0±10%		2.0±10%	0.5±10%
INDUCTANCE/PHASE (mH) @1KHz	2.2±20%		8.8±20%	2.2±20%
HOLDING TORQUE (Nm) [lb-in]	1.4 [12.39]		1.98 [17.52]	1.98 [17.52]
DETENT TORQUE (Nm) [lb-in]	0.068 [0.602]			
STEP ANGLE (°) ± ACCURACY	1.8±5% (NON-ACCUM)			
BACK-EMF (V) (300 U/min)	20.00			
ROTOR INERTIA (Kg-m ²) [lb-in ²]	4.8x10 ⁻⁵ [0.164]			
WEIGHT (Kg) [lb]	1.0 [2.2]			
TEMPERATURE RISE: MAX.80°C (MOTOR STANDSTILL; FOR 2 PHASE ENERGIZED)				
AMBIENT TEMPERATURE -10~ 50°C [14°F ~ 122°F]				
INSULATION RESISTANCE 100 MOhm (UNDER NORMAL TEMPERATURE AND HUMIDITY)				
INSULATION CLASS B 130° [266°F]				
DIELECTRIC STRENGTH 500VAC FOR 1 MIN. (BETWEEN THE MOTOR COILS AND THE MOTOR CASE)				
AMBIENT HUMIDITY MAX. 85% (NO CONDENSATION)				

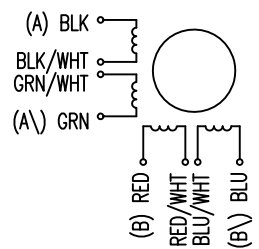


TYPE OF CONNECTION (EXTERN)				MOTOR		
UNIPOLAR	BIPOLAR		CONNECTOR PIN NO.	LEADS	WINDING	
1WINDING	SERIAL	PARALLEL				
A	A	A	1	BLK	A	
COM	A		3	BLK/WHT		
A\	A\	A\	2	GRN/WHT	A\	
B	B	B	4	GRN	B	
COM	B		5	RED		
B\	B\	B\	7	RED/WHT	B\	
			6	BLU/WHT		
			8	BLU		

FULL STEP 2 PHASE-Ex., WHEN FACING MOUNTING END (X)

STEP	A	B	A\	B\	CCW	CW
1	+	+	-	-	↓	↑
2	-	+	+	-	↓	↑
3	-	-	+	+	↓	↑
4	+	-	-	+	↓	↑

WIRING DIAGRAM



REV	DESCRIPTION	DATE	APVD	Nanotec® PLUG & DRIVE		SCALE FREE	APVD	S.Ha.	19.03.07	STEPPING MOTOR	
2	UL NO.	20.07.09	J.W.	ST5918L3008		X ±0.5	CHKD			DWG.NO ST5918L3008	
1	PIN-Belegung	04.01.08	J.W.			1PL ±0.2	DRN	J.W.	21.11.06		
						2PL ±0.1	SIGNATURE		DATE		
						ANGLE ±30'					