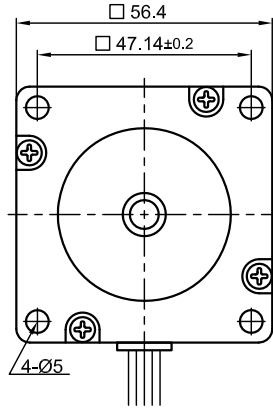
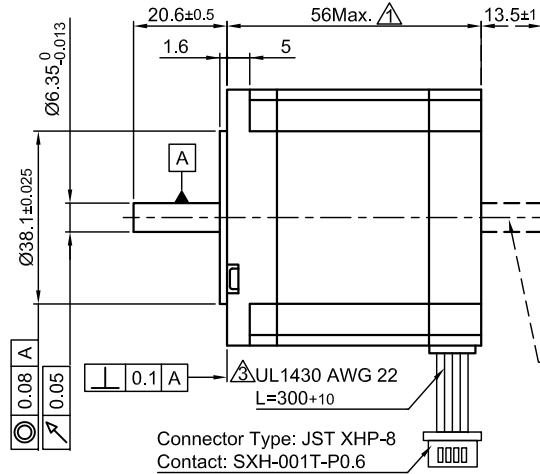


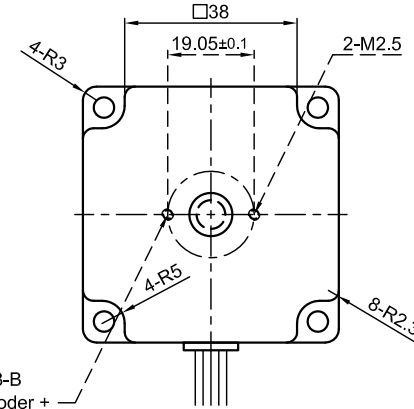
Front view and mounting



Side view

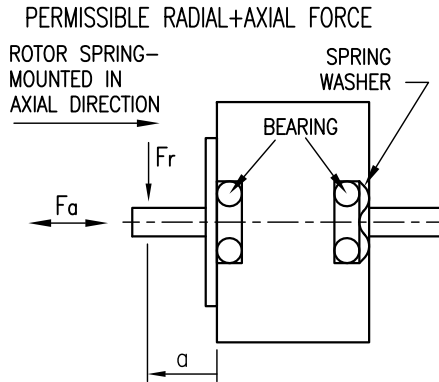


Rear view



(only for type ST5918M1008-B Ready for encoder + driver mount)

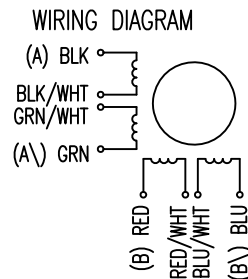
SPECIFICATION	CONNECTION		UNIPOLAR OR BIPOLAR-1 WINDING		BIPOLAR	
	BIPOLAR-1 WINDING		SERIAL	PARALLEL		
VOLTAGE (VDC)	6.9					
AMPS/PHASE	1.0		0.71	1.41		
RESISTANCE/PHASE (Ohms)@25°C	6.9±10%		13.8±10%	3.5±10%		
INDUCTANCE/PHASE (mH) @1KHz	14±20%		56±20%	14±20%		
HOLDING TORQUE (Nm) [lb-in]	0.74 [6.55]		1.48 [13.1]	1.48 [13.1]		
DETENT TORQUE (Nm) [lb-in]	0.04 [0.354]					
STEP ANGLE (°) ± ACCURACY	1.8±5% (NON-ACCUM)					
BACK-EMF (V) (300 U/min)		36.00				
ROTOR INERTIA (Kg-m ²) [lb-in ²]	3.0x10 ⁻⁵ [0.102]					
WEIGHT (Kg) [lb]	0.7 [1.54]					
TEMPERATURE RISE: MAX.80°C (MOTOR STANDSTILL; FOR 2 PHASE ENERGIZED)			AXIAL-FORCE Fa (N)		Fa=15	
AMBIENT TEMPERATURE -10~ 50°C [14°F ~ 122°F]			DISTANCE a (mm)		5 10 15 20	
INSULATION RESISTANCE 100 MOhm (UNDER NORMAL TEMPERATURE AND HUMIDITY)			RADIAL-FORCE Fr (N)		130 90 70 52	
INSULATION CLASS B 130° [266°F]					AXIAL RADIAL	
DIELECTRIC STRENGTH 500VAC FOR 1 MIN. (BETWEEN THE MOTOR COILS AND THE MOTOR CASE)			SHAFT PLAY (mm)		0.08 0.02	
AMBIENT HUMIDITY MAX. 85% (NO CONDENSATION)			AT LOAD MAX: (N)		4.5 4.5	



UNIPOLAR	TYPE OF CONNECTION (EXTERN)			MOTOR		
	1WINDING	BIPOLAR SERIAL	PARALLEL	CONNECTOR PIN NO. (A)	LEADS	WINDING
A	A	A	A	1	BLK	A
COM	A			3	BLK/WHT	
A\		A\	A\	2	GRN/WHT	A\
B	B	B	B	4	GRN	B
COM	B			5	RED	
B\		B\	B\	7	RED/WHT	B\
				6	BLU/WHT	
				8	BLU	

FULL STEP 2 PHASE-Ex., WHEN FACING MOUNTING END (X)

STEP	A	B	A\	B\	CCW	CW
1	+	+	-	-		
2	-	+	+	-		
3	-	-	+	+		
4	+	-	-	+		



3	NEW UL NO.	28.07.09	J.W.
2	PIN-ASSIGNMENT	04.01.08	J.W.
1	LENGTH	30.05.07	J.W.
REV	DESCRIPTION	DATE	APVD

Nanotec
PLUG & DRIVE

ST5918M1008

SCALE FREE	APVD	S.Ha.	19.03.07
X ±0.5	CHKD		
1PL ±0.2	DRN	J.W.	21.11.06
2PL ±0.1	SIGNATURE		DATE
ANGLE ±30'			

STEPPING MOTOR

DWG.NO ST5918M1008