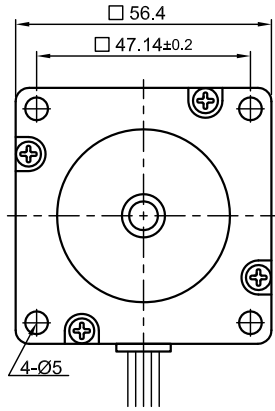
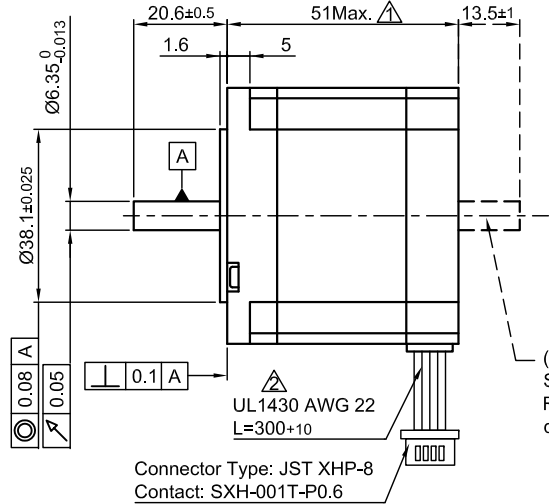


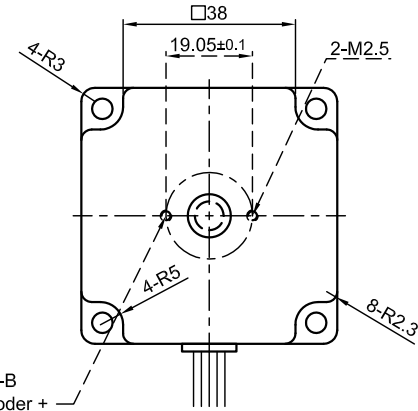
Front view and mounting



Side view



Rear view

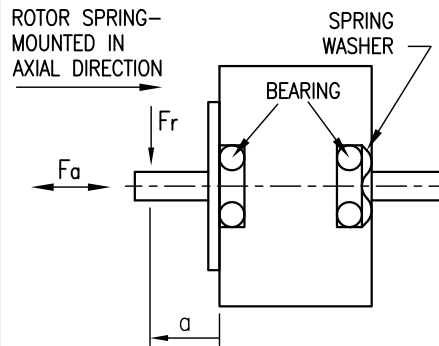


(only for type ST5918S3008-B Ready for encoder + driver mount)

Connector Type: JST XHP-8 Contact: SXH-001T-P0.6

| SPECIFICATION | CONNECTION | | UNIPOLAR OR BIPOLAR | |
|--|-------------------------------|--|---------------------|-------------|
| | BIPOLAR-1 WINDING | | SERIAL | PARALLEL |
| VOLTAGE (VDC) | 2.16 | | | |
| AMPS/PHASE | 3.0 | | 2.12 | 4.24 |
| RESISTANCE/PHASE (Ohms)@25°C | 0.72±10% | | 1.44±10% | 0.36±10% |
| INDUCTANCE/PHASE (mH) @1KHz | 1.1±20% | | 4.4±20% | 1.1±20% |
| HOLDING TORQUE (Nm) [lb-in] | 0.65 [5.75] | | 0.92 [8.14] | 0.92 [8.14] |
| DETENT TORQUE (Nm) [lb-in] | 0.03 [0.266] | | | |
| STEP ANGLE (°) ± ACCURACY | 1.8±5% (NON-ACCUM) | | | |
| BACK-EMF (V) (300 U/min) | | | 9.59 min. | |
| ROTOR INERTIA (Kg-m ²) [lb-in ²] | 2.75x10 ⁻⁵ [0.094] | | | |
| WEIGHT (Kg) [lb] | 0.65 [1.43] | | | |
| TEMPERATURE RISE: MAX.80°C (MOTOR STANDSTILL; FOR 2 PHASE ENERGIZED) | | | | |
| AMBIENT TEMPERATURE -10~ 50°C [14°F ~ 122°F] | | | | |
| INSULATION RESISTANCE 100 MOhm (UNDER NORMAL TEMPERATURE AND HUMIDITY) | | | | |
| INSULATION CLASS B 130° [266°F] | | | | |
| DIELECTRIC STRENGTH 500VAC FOR 1 MIN. (BETWEEN THE MOTOR COILS AND THE MOTOR CASE) | | | | |
| AMBIENT HUMIDITY MAX. 85% (NO CONDENSATION) | | | | |

PERMISSIBLE RADIAL+AXIAL FORCE

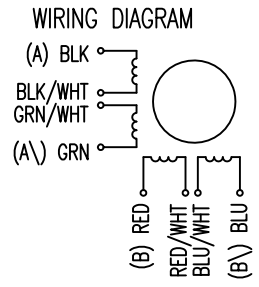


| | AXIAL-FORCE Fa (N) | | | | F _a =15 | | | |
|---------------------|--------------------|----|-------|--------|--------------------|--|--|--|
| DISTANCE a (mm) | 5 | 10 | 15 | 20 | | | | |
| RADIAL-FORCE Fr (N) | 130 | 90 | 70 | 52 | | | | |
| | | | AXIAL | RADIAL | | | | |
| SHAFT PLAY (mm) | | | 0.08 | 0.02 | | | | |
| AT LOAD MAX: (N) | | | 4.5 | 4.5 | | | | |

| TYPE OF CONNECTION (EXTERN) | | | | MOTOR | | |
|-----------------------------|------------------|----------------|------------------|-------------------|---------|---------|
| UNIPOLAR | BIPOLAR 1WINDING | BIPOLAR SERIAL | BIPOLAR PARALLEL | CONNECTOR PIN NO. | LEADS | WINDING |
| A | A | A | A | 1 | BLK | A |
| COM | A | | | 3 | BLK/WHT | |
| A\ | B | A\ | A\ | 2 | GRN/WHT | A\ |
| B | B | B | B | 4 | GRN | B |
| COM | B | | | 5 | RED | |
| B\ | | B\ | B\ | 7 | RED/WHT | B\ |
| | | | | 6 | BLU/WHT | |
| | | | | 8 | BLU | |

FULL STEP 2 PHASE-Ex., WHEN FACING MOUNTING END (X)

| STEP | A | B | A\ | B\ | CCW | CW |
|------|---|---|----|----|-----|----|
| 1 | + | + | - | - | ↓ | ↑ |
| 2 | - | + | + | - | ↓ | ↑ |
| 3 | - | - | + | + | ↓ | ↑ |
| 4 | + | - | - | + | ↓ | ↑ |



| REV | DESCRIPTION | DATE | APVD |
|-----|----------------|----------|------|
| 2 | NEW UL NO. | 28.07.09 | J.W. |
| 1 | PIN-ASSIGNMENT | 08.01.08 | J.W. |

Nanotec
PLUG & DRIVE
ST5918S3008

| SCALE | FREE | APVD | S.Ha. | 19.03.07 |
|-------|------|-----------|-------|----------|
| X | ±0.5 | CHKD | | |
| 1PL | ±0.2 | DRN | J.W. | 21.11.06 |
| 2PL | ±0.1 | SIGNATURE | | DATE |
| ANGLE | ±30' | | | |

STEPPING MOTOR
DWG.NO ST5918S3008