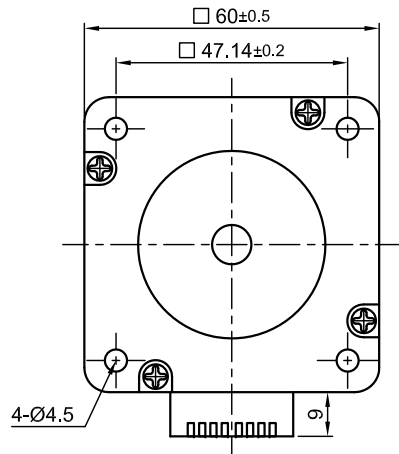
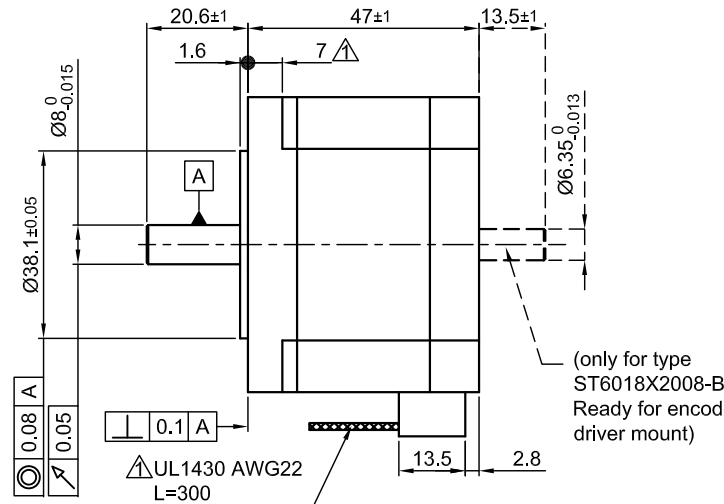


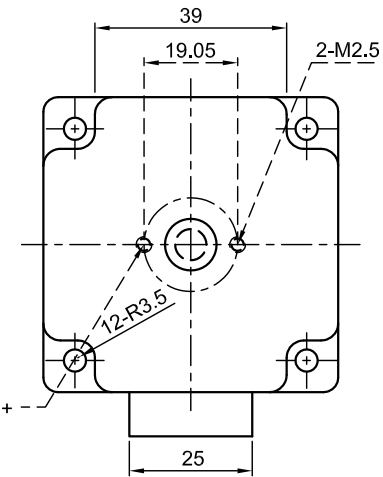
Front view and mounting



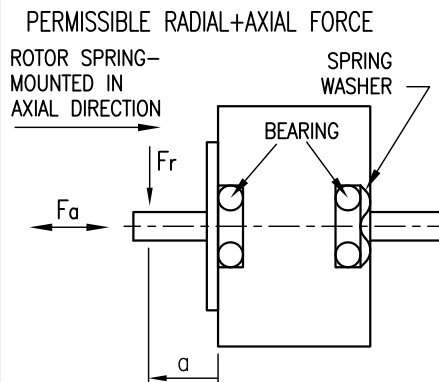
Side view



Rear view



SPECIFICATION	CONNECTION	UNIPOLAR OR BIPOLAR-1 WINDING	BIPOLAR	
			SERIAL	PARALLEL
VOLTAGE (VDC)		2.92		
AMPS/PHASE		2.0	1.41	2.82
RESISTANCE/PHASE (Ohms)@25°C		1.46±15%	2.92±15%	0.73±15%
INDUCTANCE/PHASE (mH) @1KHz		1.8±20%	7.2±20%	1.8±20%
HOLDING TORQUE (Nm) [lb-in]		0.75 [6.64]	1.06 [9.38]	1.06 [9.38]
DETENT TORQUE (Nm) [lb-in]		0.023 [0.199]		
STEP ANGLE (°) ± ACCURACY		1.8±5% (NON-ACCUM)		
BACK-EMF (V) (300 U/min)		20.5		
ROTOR INERTIA (Kg-m ²) [lb-in ²]		2.75x10 ⁻⁵ [0.094]		
WEIGHT (Kg) [lb]		0.6 [1.323]		
TEMPERATURE RISE: MAX.80°C (MOTOR STANDSTILL; FOR 2 PHASE ENERGIZED)				
AMBIENT TEMPERATURE -10~ 50°C [14°F ~ 122°F]				
INSULATION RESISTANCE 100 MOhm (UNDER NORMAL TEMPERATURE AND HUMIDITY)				
INSULATION CLASS B 130° [266°F]				
DIELECTRIC STRENGTH 500VAC FOR 1 MIN. (BETWEEN THE MOTOR COILS AND THE MOTOR CASE)				
AMBIENT HUMIDITY MAX. 85% (NO CONDENSATION)				

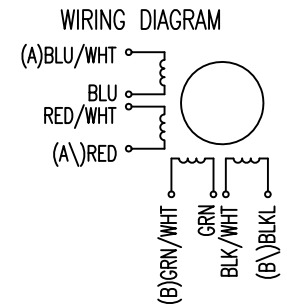


	AXIAL-FORCE Fa (N)			
	Fa=14			
DISTANCE a (mm)	5	10	15	20
RADIAL-FORCE Fr (N)	163	112	85	63
		AXIAL	RADIAL	
SHAFT PLAY (mm)		0.075	0.025	
AT LOAD MAX: (N)		10	5.0	

TYPE OF CONNECTION (EXTERN)				MOTOR	
UNIPOLAR	BIPOLAR			LEADS	WINDING
	1WINDING	SERIAL	PARALLEL		
A —	A —	A —	A —	BLU/WHT	A
COM —				BLU	
A\ —	A\ —	A\ —	A\ —	RED/WHT	A\
B —	B —	B —	B —	RED	
COM —				GRN/WHT	B
B\ —	B\ —	B\ —	B\ —	GRN	
				BLK/WHT	B\
				BLK	

FULL STEP 2 PHASE-Ex., WHEN FACING MOUNTING END (X)

STEP	A	B	A\	B\	CCW	CW
1	+	+	-	-	↓	↑
2	-	+	+	-	↑	↓
3	-	-	+	+	↓	↑
4	+	-	-	+	↑	↓



				 Nanotec [®] PLUG & DRIVE	SCALE FREE	APVD	<i>S.Ha.</i>	16.01.07	STEPPING MOTOR DWG.NO ST6018X2008
1	LENGTH+UL NO.	06.08.09	J.W.		X ±0.5	1PL ±0.2	CHKD		
REV	DESCRIPTION	DATE	APVD	ST6018X2008	2PL ±0.1	DRN	<i>J.W.</i>	13.07.06	
					ANGLE ±30'	SIGNATURE		DATE	