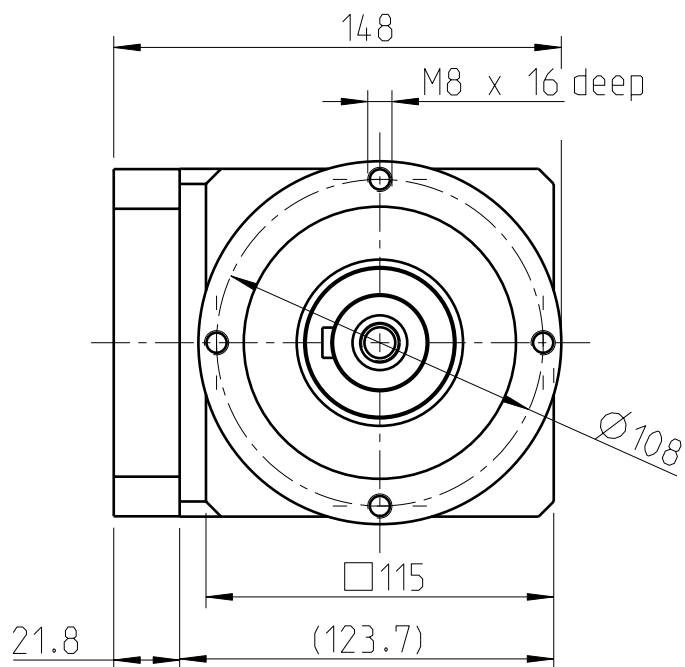
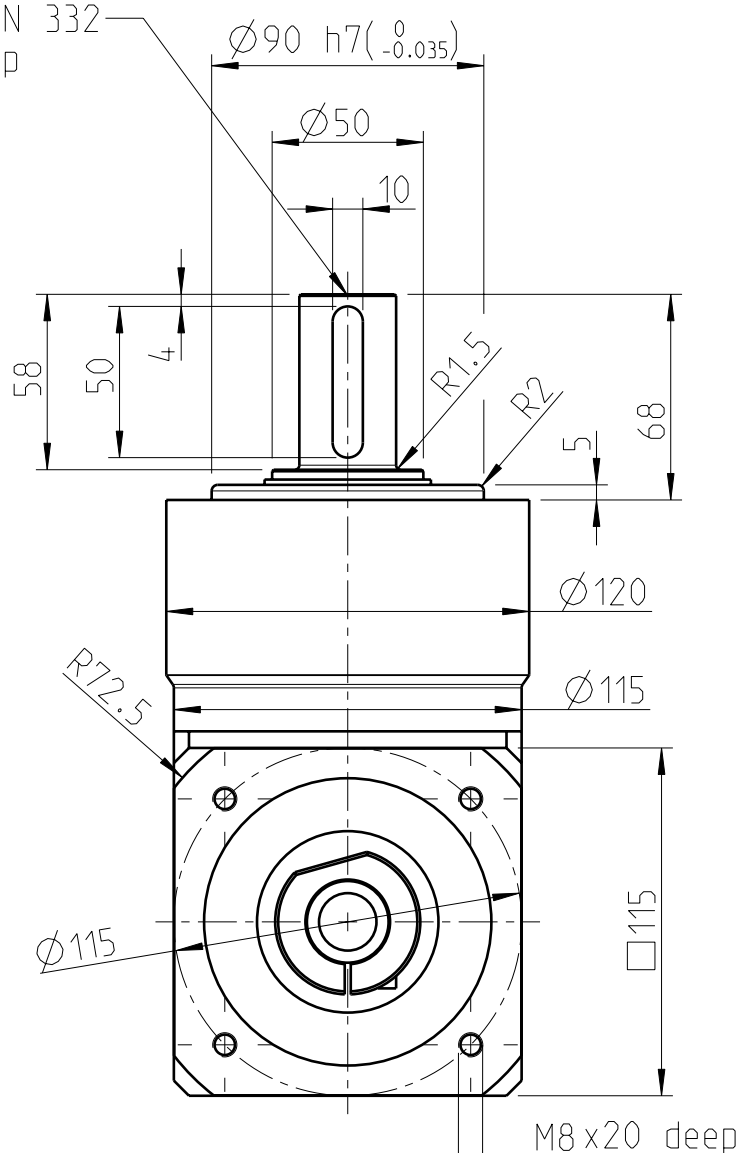
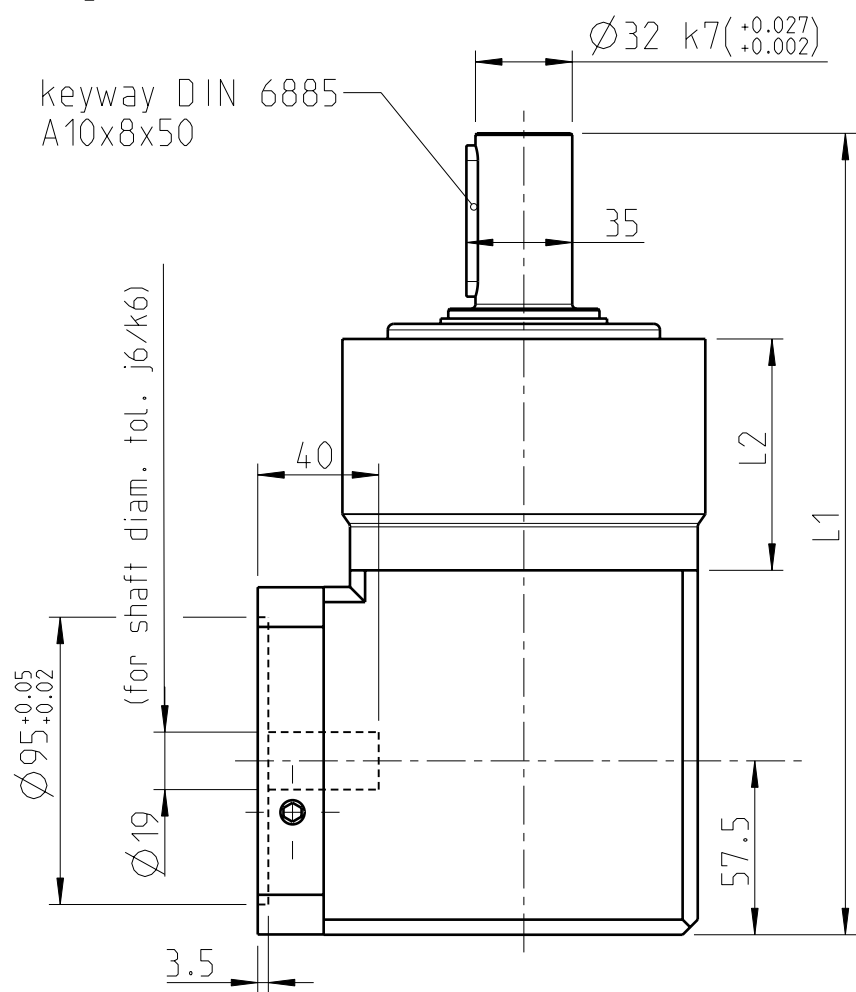


**Material:**

output flange: aluminium - untreated  
 input flange: aluminium - untreated  
 housing: steel - black

center bore DIN 332  
 DR M12x28 deep



$T_{2N}$  = nominal output torque  
 at output shaft with tumscent load [Nm]  
 emergency stop torque: 2 times  $T_{2N}$

max. middle <sup>(1)</sup> input speed at normal conditions and S1 duty					
i	$n_1$ at 50% $T_{2N}$	$n_1$ at 100% $T_{2N}$	i	$n_1$ at 50% $T_{2N}$	$n_1$ at 100% $T_{2N}$
3	2300	1700	9	2850	2050
4	2400	1700	12	2950	2150
5	2550	1750	15	3350	2550
7	3050	2200	16	3300	2500
8	3400	2550	20	3500	2850
10	3500	3200	25	3500	3350
			32	3500	3500
			40	3500	3500
			64	3500	3500
			100	3500	3500

**Technical Specification**

planetary gear: straight-toothed  
 lifetime: 20.000h  
 output shaft bearing: grooved ball bearing  
 - max. axial load: 4000N by  $n_2=100$  1/min /Fr=0 /Lh=20.000h  
 - max. radial load: 2500N by  $n_2=100$  1/min /Fa=0 /Lh=20.000h  
 - ref. on shaft center/T=30°  
 backlash: 1-stage≤12 arcmin, 2-stage≤16 arcmin  
 - ref. on output shaft  
 max. input speed:  $n_1=6500$  1/min<sup>(1)</sup>  
 lubrication: life grease lubrication  
 operating temperature: -25°C ...+90°C  
 efficiency: by rated load (ratio dependently)  
 - ca. 94% 1-stage, ca. 92% 2-stage  
 nominal output torque: by  $n_2 = 100$  1/min  
 sealing: bearing 2RS  
 motor mounting: M2 (stocked driving pinion)  
 - torque of clamping screw: 16.5Nm  
 method of working: S1  
 operation ratio: cB=1  
 protective system: IP 54  
 max. motor weight static: 16kg

Consider motor fitting instructions!

Modification reserve!

	1-stage		2-stage	
L1	265		292.5	
L2	76.5		104	
	i	Mn (Nm)	i	Mn (Nm)
	3	80	9	157 <sup>(2)</sup>
	4	105 <sup>(2)</sup>	12	195 <sup>(2)</sup>
	5	130 <sup>(2)</sup>	15	172
	7	135	16	195
	8	120	20	195
	10	95	25	172
			32	195
			40	172
			64	120
			100	95

<sup>(1)</sup> Operating temperature may not be exceeded!

<sup>(2)</sup> Lifetime deviating 10.000h at  $T_{2N}$

		general tolerance DIN ISO 2768 - cL		Scale: 2:5		DIN A3		ISO		
		date name		data sheet WPLPE 120 standard flange						
h		Auth.	21.04.11							Burger
g		Aud.	21.04.11							Leser
f		Rel.	21.04.11							Schabberger
e										
d		Neugart GmbH Kettenstrasse 16 D - 77971 Kippenheim			Draw-No.: MB - 1925		sheet 1/1			
c					Variant:					
b					(date) 23.02.11		(name) Leser			
a										
stat	change	date	nam							