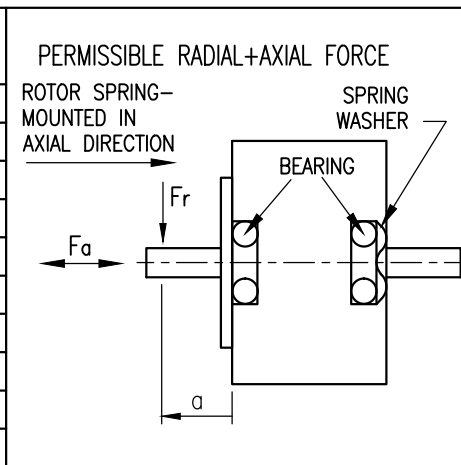


SPECIFICATION	CONNECTION	BIPOLAR PARALLEL
VOLTAGE (VDC)		2.18
AMPS/PHASE		9.5
RESISTANCE/PHASE (Ohms)@25°C		0.26±15%
INDUCTANCE/PHASE (mH) @1KHz		2.7±20%
HOLDING TORQUE (Nm) [lb-in]		9.33 [82.57]
DETENT TORQUE (Nm) [lb-in]		0.20 [1.7]
STEP ANGLE (°)		1.8
STEP ACCURACY (NON-ACCUM)		±5%
ROTOR INERTIA (Kg-m ²) [lb-in ²]		3.0x10 ⁻⁴ [1.025]
WEIGHT (Kg) [lb]		5.0 [11.02]



M12-12 pole Encoder	
PIN NO.	ASSIGNMENT
1	A
2	A\
3	B
4	B\
5	GND
6	I\
7	I
8	Vcc (24V)
9	NC
10	NC
11	NC
12	NC
HOUSING	GND/SHIELDING

M16-7 pole Motor	
PIN. NO.	ASSIGNMENT
1	A\
2	A
3	B
4	B\
5	BRAKE/Vcc (24V)
6	BRAKE/GND
7	HOUSING

FULL STEP 2 PHASE-Ex., WHEN FACING MOUNTING END (X)

STEP	A	B	A\	B\	CCW	CW
1	+	+	-	-	↓	↑
2	-	+	+	-	↓	↑
3	-	-	+	+	↓	↑
4	+	-	-	+	↓	↑

TEMPERATURE RISE: MAX.80°C (MOTOR STANDSTILL; FOR 2 PHASE ENERGIZED)	AXIAL-FORCE Fa (N)				
	Fa=65				
AMBIENT TEMPERATURE -10°~ 50°C [14°F ~ 122°F]	DISTANCE a (mm)	5	10	15	20
INSULATION RESISTANCE 100 MOhm (UNDER NORMAL TEMPERATURE AND HUMIDITY)	RADIAL-FORCE Fr (N)	535	355	256	200
INSULATION CLASS B 130° [266°F]			AXIAL	RADIAL	
DIELECTRIC STRENGTH 500VAC FOR 1 MIN. (BETWEEN THE MOTOR COILS AND THE MOTOR CASE)	SHAFT PLAY (mm)	0.075	0.025		
AMBIENT HUMIDITY MAX. 85% (NO CONDENSATION)	AT LOAD MAX: (N)	10	5.0		

03	ADD A BASE FOR CONNECTOR	27.02.13	GYQ
02	REMOVE 13.3+BIG SHAFT HOLE	06.02.13	GYQ
04	NEW MOTOR NAME	08.02.14	GYQ
REV	DESCRIPTION	DATE	APVD

Nanotec
PLUG & DRIVE

AS8918L9504-E24B

SCALE	FREE	APVD	G.S.	17.09.12
X	±0.5	CHKD		
1PL	±0.2	DRN	J.W.	17.09.12
2PL	±0.1	SIGNATURE		DATE
ANGLE	±30°			

STEPPER MOTOR IN PROTECTION

DWG.NO AS8918L9504-E24B