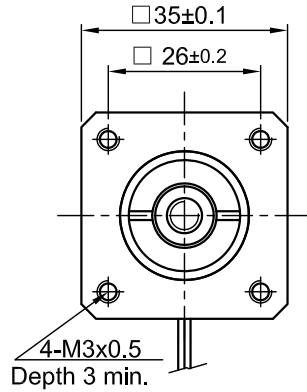
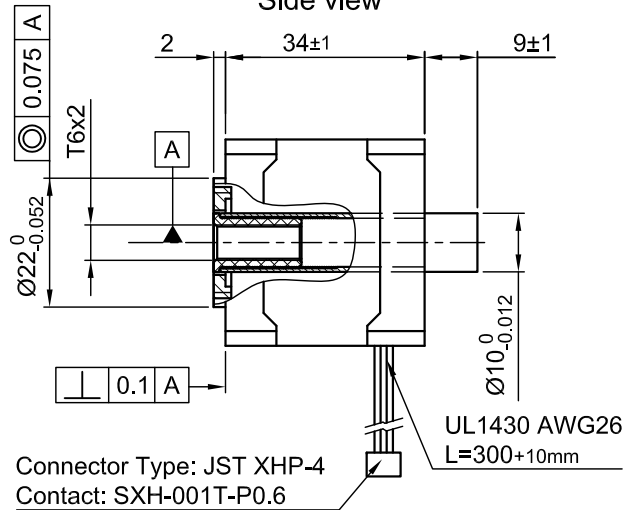


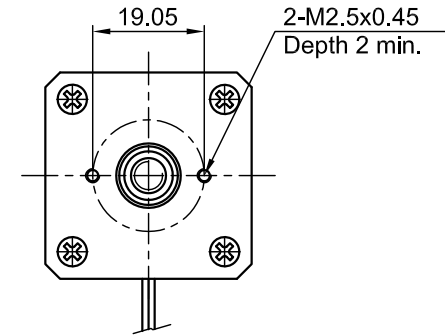
Front view and mounting



Side view



Rear view



SPECIFICATION	
AMPS/PHASE	1.2
RESISTANCE/PHASE (Ohms)@25°C	1.85±15%
INDUCTANCE/PHASE (mH) @1KHz	2.0±20%
SPINDLE PITCH (mm) [in]	2
THRUST (N) (lb)	160 [35.97]
RESOLUTION (mm/STEP)	0.01
STATIC THRUST (NO CURRENT) (N)	> 160
MAX. SPEED (mm/sec.) at 48V	100
MAX. SPEED WITH MAX. THRUST (mm/sec.)	12
WEIGHT (Kg) [lb]	0.15 [0.331]
TEMPERATURE RISE: MAX.80°C (MOTOR STANDSTILL; FOR 2 PHASE ENERGIZED)	
AMBIENT TEMPERATURE -10°~ 50°C [14°F ~ 122°F]	
INSULATION RESISTANCE 100 MOhm (UNDER NORMAL TEMPERATURE AND HUMIDITY)	
INSULATION CLASS B 130° [266°F]	
DIELECTRIC STRENGTH 500VAC FOR 1 MIN. (BETWEEN THE MOTOR COILS AND THE MOTOR CASE)	
AMBIENT HUMIDITY MAX. 85% (NO CONDENSATION)	

Please regard the application note at [www.nanotec.com](http://www.nanotec.com) for further informations.

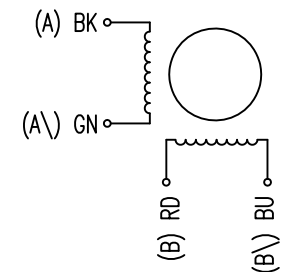
Shaft play is adjustable at the motor.

PIN NO	TYPE OF CONNECTION (EXTERN)		MOTOR	
	BIPOLAR	LEADS	WINDING	
1	A —	BK	A	
2	A\ —	GN	A\ B	
3	B —	RD	B	
4	B\ —	BU	B\ A	

WIRING DIAGRAM

FULL STEP 2 PHASE-Ex., WHEN FACING MOUNTING END (X)

STEP	A	B	A\ B	B\ A	CCW	CW
1	+	+	-	-	↓	↑
2	-	+	+	-	↓	↑
3	-	-	+	+	↓	↑
4	+	-	-	+	↓	↑



REV	DESCRIPTION	DATE	APVD
1	VALUES CHANGED	19.11.13	A.S.



L3518S1204-T6x2

SCALE	FREE	APVD	S.R.	DATE
X	±0.5	CHKD		23.10.12
1PL	±0.2	DRN	J.W.	23.10.12
2PL	±0.1	SIGNATURE		DATE
ANGLE	±30'			

LINEAR AKTUATOR

DWG.NO

L3518S1204-T6x2