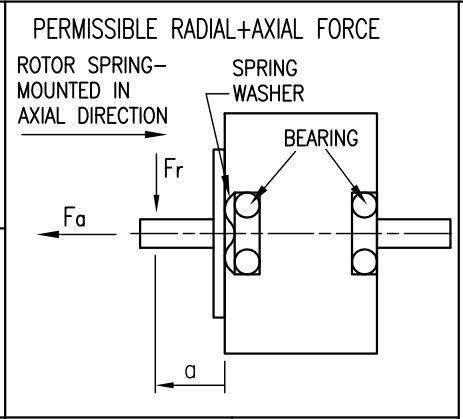
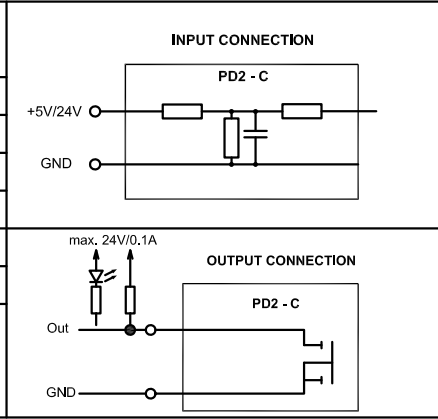


SPECIFICATION	CONNECTION	BIPOLAR
VOLTAGE (VDC)		12 TO 48
AMPS/PHASE		1.8A
HOLDING TORQUE (Nm) [lb-in]		0.5 [4.425]
DETENT TORQUE (Nm) [lb-in]		0.022 [0.195]
STEP ANGLE (°) ± ACCURACY		1.8±5% TO MICROSTEP
WEIGHT (Kg) [lb]		0.5 [1.1]



X1	
Pin No.	Function
a1	GND
a2	+UB (12-48V)
a3	INPUT 1 (24V)
a4	INPUT 2 (24V)
a5	INPUT 3 (24V)
a6	ANALOG INPUT (0-10V/0-20mA)
a7	OUTPUT 1 (open drain)
a8	OUTPUT 2 (open drain)
b1	GND
b2	+10V VOLTAGE SUPPLY
b3	-INPUT4/-ENABLE (5V/24V)
b4	INPUT 4/ENABLE (5V/24V)
b5	-INPUT 5/-DIRECTION (5V/24V)
b6	INPUT 5/DIRECTION (5V/24V)
b7	-INPUT 6/-CLOCK (5V/24V)
b8	INPUT 6/CLOCK (5V/24V)

OVERTEMPERATURE PROTECTION (ELECTRONICS): 75°C		AXIAL-FORCE F_a (N)	$F_a=7$
AMBIENT TEMPERATURE -10°~ 50°C [14°F ~ 122°F]		DISTANCE a (mm)	20
INSULATION RESISTANCE 100 MOhm (UNDER NORMAL TEMPERATURE AND HUMIDITY)		RADIAL-FORCE F_r (N)	20
INSULATION CLASS B 130° [266°F]			AXIAL RADIAL
DIELECTRIC STRENGTH 500VAC FOR 1 MIN. (BETWEEN THE MOTOR COILS AND THE MOTOR CASE)		SHAFT PLAY (mm)	0.1 0.02
AMBIENT HUMIDITY MAX. 85% (NO CONDENSATION)		AT LOAD MAX: (N)	30 4.5

				APVD	<i>X.W.</i>	21.04.15	PLUG&DRIVE MOTOR
				CHKD			
Surface specification DIN ISO 1302 General tolerances DIN ISO 2768- cH Work piece edge DIN ISO 13715				DRN	<i>A.S.</i>	21.04.15	DWG.NO
				REV	DESCRIPTION	DATE	DRN