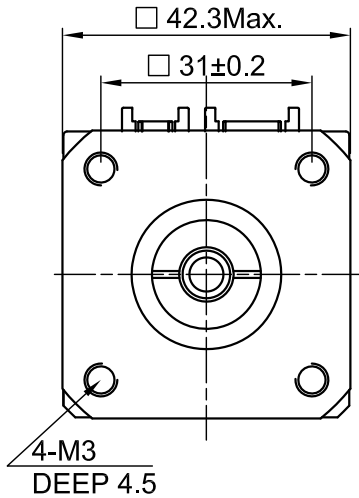
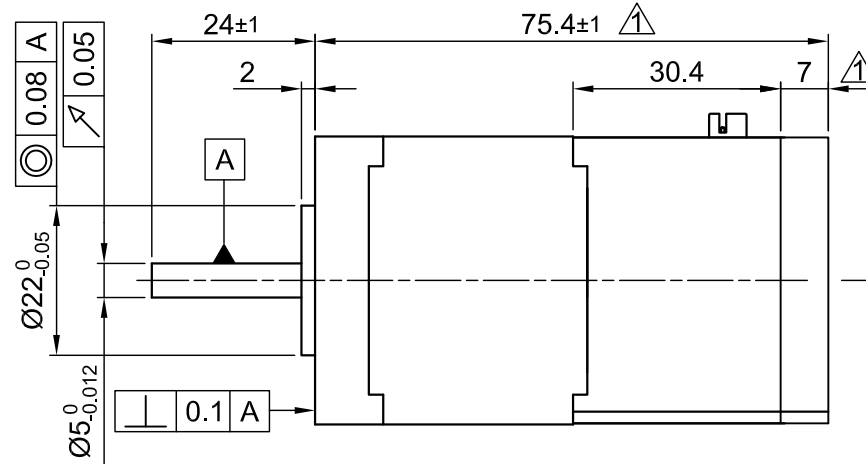


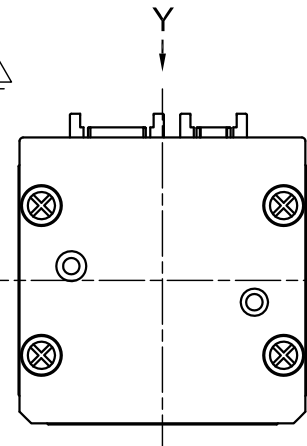
Front view and mounting



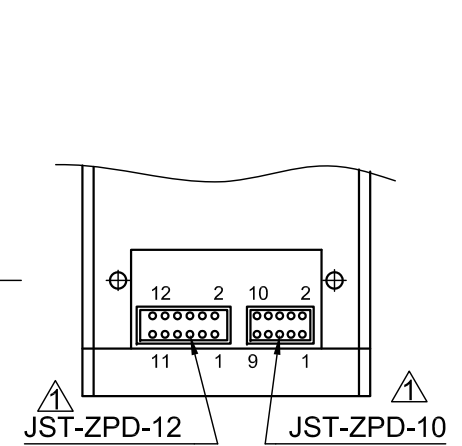
Side view



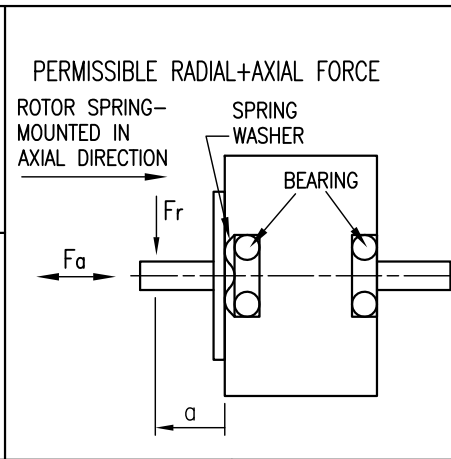
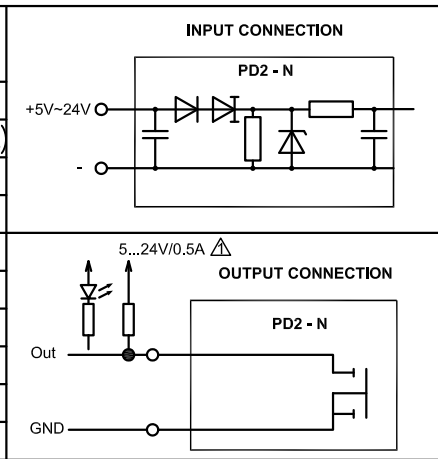
Rear view



Y view



SPECIFICATION	CONNECTION	BIPOLAR
VOLTAGE (VDC)		12 to 48
AMPS/PHASE		adj. to 1.8A (max. 3A)
RESISTANCE/PHASE (Ohms)@25°C		1.75±15%
INDUCTANCE/PHASE (mH) @1KHz		3.3±20%
HOLDING TORQUE (Nm) [lb-in]		0.5 [4.425]
DETENT TORQUE (Nm) [lb-in]		0.022 [0.195]
STEP ANGLE (°) ± ACCURACY		1.8 adj. to 1/64
BACK-EMF (V) (300 U/min)		6.9
ROTOR INERTIA (Kg-m <sup>2</sup> ) [lb-in <sup>2</sup> ]		8.2x10 <sup>-6</sup> [2.8x10 <sup>-2</sup> ]
WEIGHT (Kg) [lb]		0.42 [0.92]



TEMPERATURE RISE: MAX.80°C (MOTOR STANDSTILL; FOR 2 PHASE ENERGIZED)	
AMBIENT TEMPERATURE -10~ 50°C [14°F ~ 122°F]	
INSULATION RESISTANCE 100 MOhm (UNDER NORMAL TEMPERATURE AND HUMIDITY)	
INSULATION CLASS B 130° [266°F]	
DIELECTRIC STRENGTH 500VAC FOR 1 MIN. (BETWEEN THE MOTOR COILS AND THE MOTOR CASE)	
AMBIENT HUMIDITY MAX. 85% (NO CONDENSATION)	

AXIAL-FORCE Fa (N)	7
DISTANCE a (mm)	20
RADIAL-FORCE Fr (N)	20
	AXIAL $\Delta$ RADIAL
SHAFT PLAY (mm)	0.1 0.02
AT LOAD MAX: (N)	30 4.5

JST ZPD-10	
PIN No.	ASSIGNMENT
1	GND
2	GND
3	RS485 Rx-
4	RS485 Rx+
5	RS485 Tx-
6	RS485 Tx+
7	GND
8	Vcc
9	Vcc
10	GND

JST ZPD-12	
PIN No.	ASSIGNMENT
1	GND
2	INPUT 1
3	INPUT 2
4	INPUT 3
5	INPUT 4
6	INPUT 5
7	INPUT 6
8	ANALOG INPUT
9	OUTPUT 1
10	OUTPUT 2
11	OUTPUT 3
12	GND

1	Y VIEW+AXIAL PLAY SUPPLEMENTED	07.05.12	J.W.
	NEW VALUE OF CURRENT+LENGTH		
REV	DESCRIPTION	DATE	APVD

  
**Nanotec**<sup>®</sup>  
 PLUG & DRIVE  
 PD2-N4118L1804-2

SCALE FREE	APVD	S.H.	29.07.11
X ±0.5	CHKD		
1PL ±0.2	DRN	J.W.	29.07.11
2PL ±0.1			
ANGLE ±30'	SIGNATURE	DATE	

**STEPPING MOTOR**  
 DWG.NO PD2-N4118L1804-2