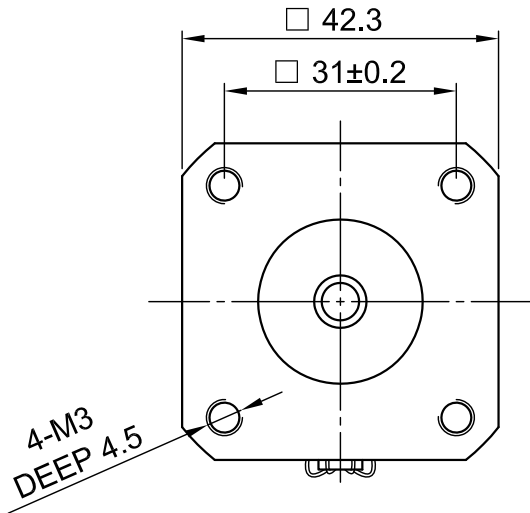
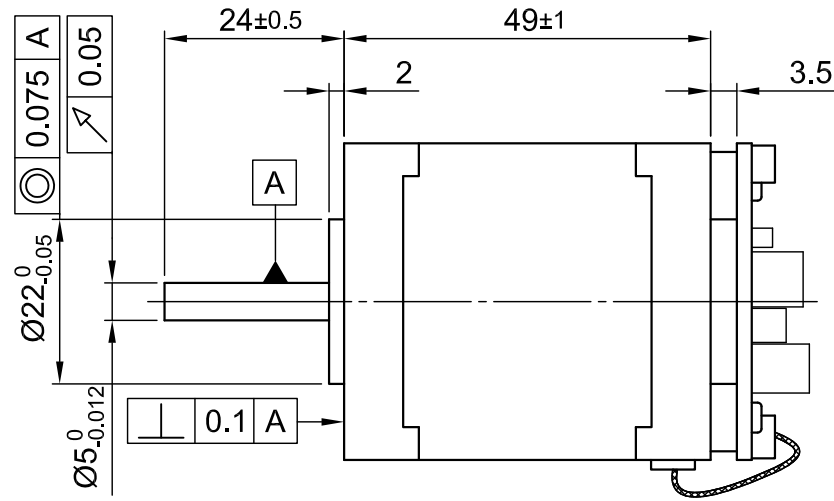


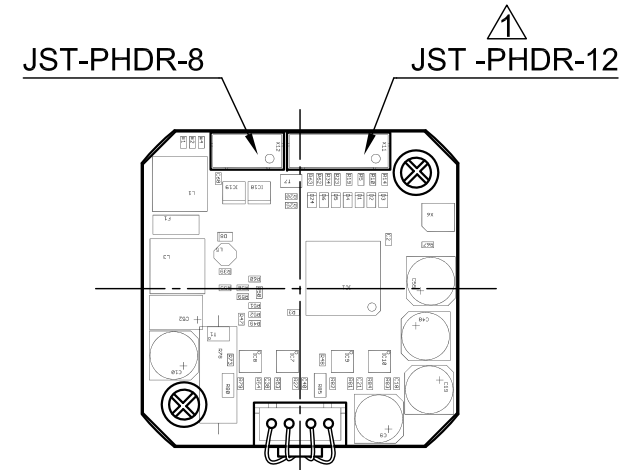
Front view and mounting



Side view



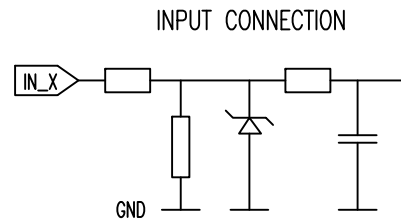
Rear view



SPECIFICATION	CONNECTION	BIPOLAR
SUPPLY VOLTAGE (VDC)		12 TO 24
RATED CURRENT MOTOR (A)		1.8
PEAK ALLOWED CURRENT (A)		2.34 MAX.
HOLDING TORQUE (Nm) [lb-in]		0.5 [4.425]
DETENT TORQUE (Nm) [lb-in]		1.37x10 ⁻² [0.1212]
STEP ANGLE (°) ± ACCURACY		*1.8 TO MICROSTEP
WEIGHT (Kg) [lb]		0.39 [0.86]

*ADJUSTABLE WITH NANOPRO.

OVERTEMPERATURE PROTECTION(ELECTRONICS): 80°	AXIAL-FORCE Fa (N)	Fa=7
AMBIENT TEMPERATURE 0 ~ 40°C	DISTANCE a (mm)	5 10 15 20
INSULATION RESISTANCE 100 MOhm (UNDER NORMAL TEMPERATURE AND HUMIDITY)	RADIAL-FORCE Fr (N)	58 36 26 20
INSULATION CLASS B 130° [266°F]		AXIAL RADIAL
DIELECTRIC STRENGTH 500VAC FOR 1 MIN. (BETWEEN THE MOTOR COILS AND THE MOTOR CASE)	SHAFT PLAY (mm)	0.08 0.02
AMBIENT HUMIDITY MAX. 85% (NO CONDENSATION)	AT LOAD MAX: (N)	4.5 4.5

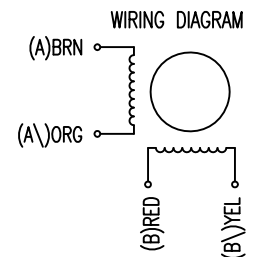


JST-PHDR-8	
PIN No.	Function
1	GND
2	GND
3	Rx-
4	Rx+
5	Tx-
6	Tx+
7	GND
8	UB 12-24 VDC

JST-PHDR-12	
PIN No.	Function
1	GND
2	Input 1
3	Input 2
4	Input 3
5	Input 4
6	Input 5
7	Input 6
8	Analog In
9	Output 1
10	Output 2
11	Output 3
12	GND

FULL STEP 2 PHASE-Ex.,
WHEN FACING MOUNTING END (X)

STEP	A	B	A\	B\	CCW	CW
1	+	+	-	-	↓	↑
2	-	+	+	-	↑	↓
3	-	-	+	+	↓	↑
4	+	-	-	+	↑	↓



PD2-04118L1804-2

SCALE FREE	APVD	S.H.	06.09.10
X ±0.5	CHKD		
1PL ±0.2	DRN	GYQ	06.09.10
2PL ±0.1	SIGNATURE	DATE	
ANGLE ±30'			

STEPPING MOTOR

DWG.NO

PD2-04118L1804-2

1	TYPE OF CONNECTOR+WEIGHT	16.01.11	J.W.
REV	DESCRIPTION	DATE	APVD