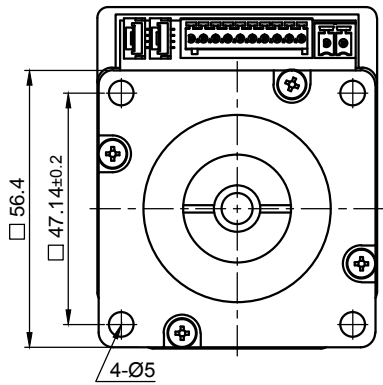
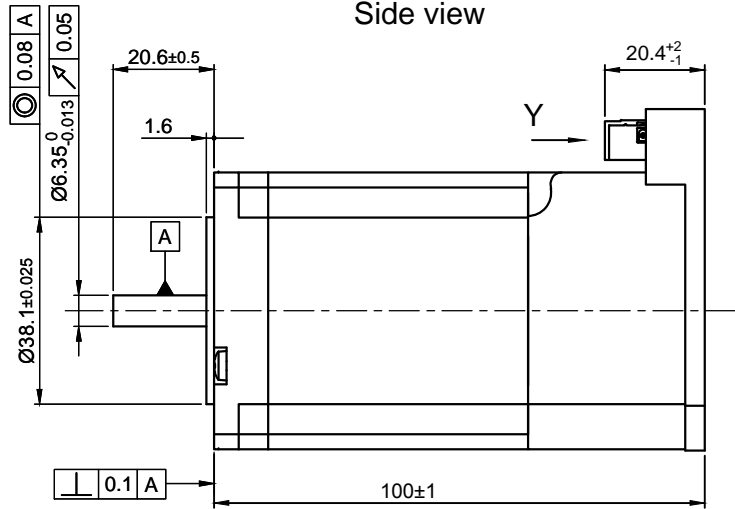


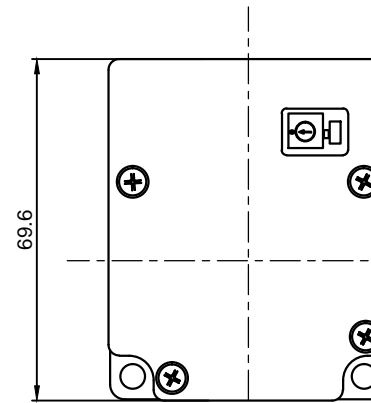
Front view and mounting



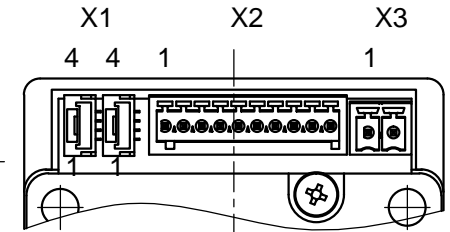
Side view



Rear view



Y view



CONNECTION	BIPOLAR PARALLEL	PERMISSIBLE RADIAL+AXIAL FORCE				X1, JST GH-4		X2, Phoenix MCV-10																															
SPECIFICATION						PIN No.	Function	PIN No.	Function																														
VOLTAGE (VDC)	2.1	ROTOR SPRING- MOUNTED IN AXIAL DIRECTION				1	+UB external	1	GND																														
AMPS/PHASE	4.2	SPRING WASHER				2	CAN+	2	Analog input (0-10V)																														
RESISTANCE/PHASE (Ohms)@25°C	0.5±15%	BEARING				3	CAN-	3	+12V (Voltage Output, max.100mA)																														
INDUCTANCE/PHASE (mH) @1KHz	1.9±20%	a				4	GND	4	Output1 (open drain)																														
HOLDING TORQUE (Nm) [lb-in]	1.98 [17.52]	AXIAL-FORCE Fa (N)		Fa=15		X3, Phoenix FMC-02		5	Output2 (open drain)																														
DETENT TORQUE (Nm) [lb-in]	0.068 [0.602]	DISTANCE a (mm)		5	10	15	20	6	Input1 (+5/+24V)																														
STEP ANGLE (°)	1.8	RADIAL-FORCE Fr (N)		130	90	70	52	7	Input2 (+5/+24V)																														
ACCURACY(NON-ACCUM)	±5%	SHAFT PLAY (mm)		0.2Max		0.02		8	Input3 (+5/+24V)																														
ROTOR INERTIA (Kg-m <sup>2</sup> ) [lb-in <sup>2</sup> ]	4.8x10 <sup>-5</sup> [0.164]	AT LOAD MAX: (N)		200		4.5		9	Input4 (+5/+24V)																														
WEIGHT (Kg) [lb]	1.14[2.508]	AXIAL		RADIAL		FULL STEP 2 PHASE-Ex., WHEN FACING MOUNTING END (X)																																	
OVERTEMPERATURE PROTECTION (ELECTRONICS): 80°C		SCALE FREE		APVD	G.M.	16.05.14		10	GND																														
AMBIENT TEMPERATURE -10~ 40°C [14°F ~ 104°F] (HIGHER TEMPERATURE REDUCES DUTY CYCLE)		X	±0.5	CHKD		<table border="1"> <thead> <tr> <th>STEP</th> <th>A</th> <th>B</th> <th>A\</th> <th>B\</th> <th>CCW</th> </tr> </thead> <tbody> <tr> <td>1</td> <td>+</td> <td>+</td> <td>-</td> <td>-</td> <td>↓</td> </tr> <tr> <td>2</td> <td>-</td> <td>+</td> <td>+</td> <td>-</td> <td>↑</td> </tr> <tr> <td>3</td> <td>-</td> <td>-</td> <td>+</td> <td>+</td> <td>↓</td> </tr> <tr> <td>4</td> <td>+</td> <td>-</td> <td>-</td> <td>+</td> <td>↑</td> </tr> </tbody> </table>				STEP	A	B	A\	B\	CCW	1	+	+	-	-	↓	2	-	+	+	-	↑	3	-	-	+	+	↓	4	+	-	-	+	↑
STEP	A	B	A\	B\	CCW																																		
1	+	+	-	-	↓																																		
2	-	+	+	-	↑																																		
3	-	-	+	+	↓																																		
4	+	-	-	+	↑																																		
INSULATION RESISTANCE 100 MOhm (UNDER NORMAL TEMPERATURE AND HUMIDITY)		1PL	±0.2	DRN	GYQ	16.05.14		DWG.NO																															
INSULATION CLASS B 130° [266°F]		2PL	±0.1	SIGNATURE		DATE		PD4-C5918L4204-E-08																															
DIELECTRIC STRENGTH 500VAC FOR 1 MIN. (BETWEEN THE MOTOR COILS AND THE MOTOR CASE)		ANGLE	±30'																																				
AMBIENT HUMIDITY MAX. 85% (NO CONDENSATION)																																							



PD4-C5918L4204-E-08

PLUG&DRIVE MOTOR

DWG.NO

PD4-C5918L4204-E-08

REV DESCRIPTION

DATE

APVD

SCALE FREE  
X ±0.5  
1PL ±0.2  
2PL ±0.1  
ANGLE ±30'

APVD G.M. 16.05.14  
CHKD  
DRN GYQ 16.05.14  
SIGNATURE DATE