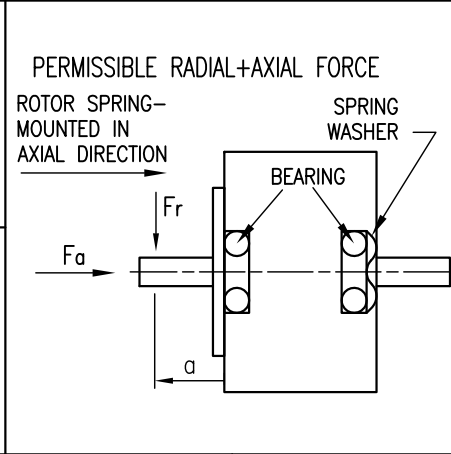
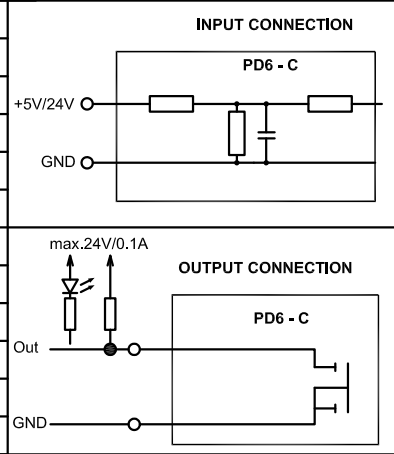


⬅ : Axial play is below 0.2mm at 250N force.

SPECIFICATION	CONNECTION	STAR
NO. OF POL./PHASE		8/3
VOLTAGE RATED (VDC)		48
CURRENT RATED/PEAK (AMP)		6.5/20
RESISTANCE/PHASE-PHASE (Ohms) @25°C		0.34±15%
INDUCTANCE/PHASE-PHASE (mH) @1KHz		1.0±20%
TORQUE RATED/PEAK (Nm)		0.70/2.1
TORQUE CONSTANT (Nm/A)		0.107
POWER RATED (W)		220
SPEED RATED/NO LOAD (RPM)		3000/4500±10%
ROTOR INERTIA (g.cm ²)		800
WEIGHT (Kg)		2.0



X1 Power Connector	
Pin No.	Function
1	+UB (12-48V)
2	GND

X4/X5 CANopen IN/OUT	
Pin No.	Function
1	CAN_H
2	CAN_L
3	CAN_GND
4	n.c.
5	n.c.
6	CAN_SHLD
7	GND
8	+UB Logic (24V)

X2 IO Connector		
Pin No.	Function	
1	+10V VOLTAGE SUPPLY (max. 200mA)	
2	Input 1/ Enable (5V/24V)	-Input1/ -Enable*
3	Input 2/ Direction (5V/24V)	Input1/ Enable*
4	Input 3/ Clock (5V/24V)	-Input2/ -Direction*
5	Input 4 (5V/24V)	Input2/ Direction*
6	Input 5 (5V/24V)	-Input3/ -Clock*
7	Input 6 (5V/24V)	Input3/ Clock*
8	Analog Input1 (0-10V/0-20mA)	
9	Analog Input2 (0-10V)	
10	Output1 (open drain)	\triangle/B
11	Output2 (open drain)	\triangle/B
12	GND	

OVERTEMPERATURE PROTECTION (ELECTRONICS): 75°C		AXIAL-FORCE Fa (N)	Fr=60
AMBIENT TEMPERATURE -10°~ 50°C [14°F ~ 122°F]		DISTANCE a (mm)	20
INSULATION RESISTANCE 100 MOhm (UNDER NORMAL TEMPERATURE AND HUMIDITY)		RADIAL-FORCE Fr (N)	220
INSULATION (MOTOR) CLASS B 130° [266°F]			AXIAL RADIAL
DIELECTRIC STRENGTH 500VAC FOR 1 MIN. (BETWEEN THE MOTOR COILS AND THE MOTOR CASE)		SHAFT PLAY (mm)	0.2 ➡ 0.02
AMBIENT HUMIDITY MAX. 85% (NO CONDENSATION)		AT LOAD MAX: (N)	250 ➡ 4.5

*configured as differential input
X3 Micro-USB

B	-	22.03.16	A.S.				APVD	X.W.	03.11.15	PLUG&DRIVE MOTOR	
A	-	10.11.15	A.S.				CHKD				
REV	DESCRIPTION	DATE	DRN	Surface specification DIN ISO 1302	General tolerances DIN ISO 2768- cH	Work piece edge DIN ISO 13715	DRN	A.S.	03.11.15	DWG.NO	PD6-CB87S048030-E-09
							SIGNATURE		DATE		